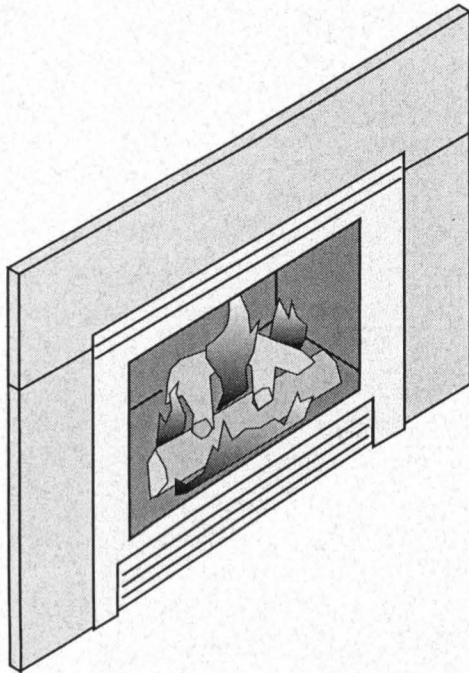


Travis Industries, Inc.



Featuring the



Burner

- Direct Vent Fireplace Insert
- Masonry or Factory Built (Metal) Fireplace
- Residential or Mobile Home



WARNING: Improper installation, adjustment, alteration, service or maintenance can cause injury or property damage. Refer to this manual. For assistance or additional information consult a qualified installer, service agency, or the gas supplier.

- Do not store or use gasoline or other flammable vapors and liquids in the vicinity of this or any other appliance.
- Installation must be performed by a qualified installer, service agency or the gas supplier

IF YOU SMELL GAS

- Do not try to light any appliance.
- Do not touch any electrical switch; do not use any phone in your building.
- Immediately call gas supplier from a neighbor's phone. Follow the gas supplier's instructions.
- If you cannot reach your gas supplier, call the fire department.

DVS Insert EF Manual

Installer: After installation give this manual to the home-owner and explain operation of this heater.

© Copyright 2004, Travis Industries, Inc. \$10.00 100-01150



**TRAVIS INDUSTRIES
HOUSE OF FIRE**
4800 Harbour Pointe Blvd. SW
Mukilteo, WA 98275

Introduction

We welcome you as a new owner of a Travis Industries gas fireplace insert. In purchasing this fireplace insert you have joined the growing ranks of concerned individuals whose selection of an energy system reflects both a concern for the environment and aesthetics. The Travis Industries DVS EF Insert is one of the finest home heaters the world over. This manual will explain the installation, operation, and maintenance of this fireplace. Please familiarize yourself with the Owner's Manual before operating your heater and save the manual for future reference. Included are helpful hints and suggestions that will make the operation and maintenance of your new fireplace an easier and more enjoyable experience. We offer our continual support and guidance to help you achieve the maximum benefit and enjoyment from your heater.

Important Information

No other DVS EF gas fireplace has the same serial number as yours. The serial number is below and to the left of the gas control valve.

This serial number will be needed in case you require service of any type.

Model: _____ DVS EF Insert (SIT) _____

Serial Number: _____

Purchase Date: _____

Purchased From: _____

Mail your Warranty Card Today, and Save Your Bill of Sale.

To receive full warranty coverage, you will need to show evidence of the date you purchased your heater. Do not mail your Bill of Sale to us.

We suggest that you attach your Bill of Sale to this page so that you will have all the information you need in one place should the need for service or information occur.

NATIONAL
FIREPLACE
INSTITUTE



CERTIFIED
www.nficertified.org

We suggest that our gas hearth products be installed and serviced by professionals who are certified in the U.S. by the National Fireplace Institute® (NFI) as NFI Gas Specialists.

Introduction & Important Info.

Introduction & Important Information.....2

Safety Precautions

Safety Precautions4

Features & Specifications

Installation Options.....6
 Heating Specifications.....6
 Dimensions.....6
 Fuel.....6
 Compliance.....6

Insert Installation

Installation Warning.....7
 Items Required for Installation.....7
 Packing List.....7
 Items Packed with Face7
 Order of Installation.....7
 Insert Placement8
 Zero Clearance (Metal) Fireplace Requirements.....8
 Hearth Requirements.....8
 Insert Clearances9
 Mantel Requirements.....9
 Face Dimensions9
 Gas Line Installation.....10
 Vent Requirements.....11
 Altitude Considerations.....11
 Vent Installation11
 Vent Location.....12
 Vent Configurations.....12
 Installation Without Surround Panels13
 Surround Panel Installation.....13
 Manifold Removal and Installation15

Finalizing the Installation

Glass Removal.....17
 Log, Twig, and Ember Installation.....18
 Purge and Leak Test the Gas Line.....19
 Pilot Flame Inspection.....19
 Air Shutter Adjustment.....20
 Flame Inspection20
 Explain Heater Operation to Owner.....20

Operating Your Heater

Before You Begin.....21
 Location of Controls21
 Starting The Pilot Flame.....22
 Starting the Heater for the First Time.....23
 Turning the Heater On and Off23
 Adjusting the Flame Height.....23
 Adjusting the Blower Speed.....24
 Normal Operating Sounds.....24
 Normal Operating Odors.....24

Maintaining Your Heater

Maintaining Your Heater's Appearance.....25
 Cleaning Your Heater.....25
 Yearly Service Procedure.....25
 Troubleshooting Table.....26
 How this Heater Works.....27
 Wiring Diagram28
 Replacement Parts List.....28

Safety Label

Safety Label29

Warranty

Warranty.....30

Optional Equipment

LP Conversion Instructions.....31

Index

Index.....34

Safety Precautions



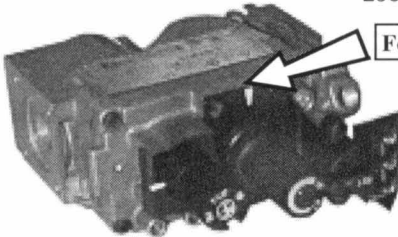
• IF YOU SMELL GAS:

- * Do not light any appliance
- * Extinguish any open flame
- * Do not touch any electrical switch or plug or unplug anything
- * Open windows and vacate building
- * Call gas supplier from neighbor's house, if not reached, call fire department



- This unit must be installed by a qualified installer to prevent the possibility of an explosion. Your dealer will know the requirements in your area and can inform you of those people considered qualified. The room heater should be inspected before use and at least annually by a qualified service person. More frequent cleaning may be required due to excessive lint from carpeting, bedding material, etc.
- The instructions in this manual must be strictly adhered to. Do not use makeshift methods or compromise in the installation. Improper installation will void the warranty and safety listing.

Look for this label:



For LPG only | Pout 11" W.C.

If the label is present, the heater is equipped for LP (propane). If the label is absent, the heater is equipped for NG (natural gas).

- This heater is either approved for natural gas (NG) or for propane (LP). Burning the incorrect fuel will void the warranty and safety listing and may cause an extreme safety hazard. Direct questions about the type of fuel used to your dealer. Check the label and flame adjust knob on the gas control valve.



- Contact your local building officials to obtain a permit and information on any installation restrictions or inspection requirements in your area. Notify your insurance company of this heater as well.



- If the flame becomes sooty, dark orange in color, or extremely tall, do not operate the heater. Call your dealer and arrange for proper servicing.



- It is imperative that control compartments, screens, or circulating air passageways of the heater be kept clean and free of obstructions. These areas provide the air necessary for safe operation.



- Do not operate the heater if it is not operating properly in any fashion or if you are uncertain. Call your dealer for a full explanation of your heater and what to expect.



- Do not store or use gasoline or other flammable liquids in the vicinity of this heater.



- Do not operate if any portion of the heater was submerged in water or if any corrosion occurs.



- Do not place clothing or other flammable items on or near the heater. Because this heater can be controlled by a thermostat there is a possibility of the heater turning on and igniting any items placed on or near it.



- Light the heater using the built-in piezo igniter. Do not use matches or any other external device to light your heater.



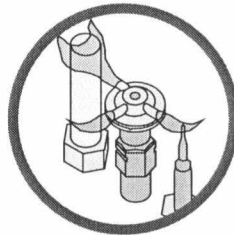
- The viewing glass should be opened only for lighting the pilot or conducting service.
- Any safety screen or guard removed for servicing must be replaced prior to operating the heater.



- Never remove, replace, modify or substitute any part of the heater unless instructions are given in this manual. All other work must be done by a trained technician. Don't modify or replace orifices.



- Operate the heater according to the instructions included in this manual.
- If the main burners do not start correctly turn the gas off at the gas control valve and call your dealer for service.



- Allow the heater to cool before carrying out any maintenance or cleaning.

- The pilot flame must contact the thermopile and thermocouple (see the illustration to the left). If it does not, turn the gas control valve to "OFF" and call your dealer.



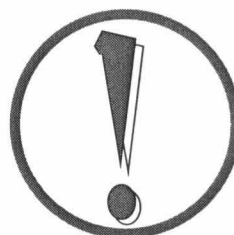
- This unit is not for use with solid fuel
- Do not place anything inside the firebox (except the included fiber logs).
- If the fiber logs become damaged, replace with Travis Industries log set.



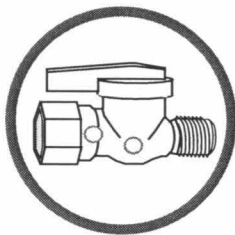
- Do not throw this manual away. This manual has important operating and maintenance instructions that you will need at a later time. Always follow the instructions in this manual.



- Children and adults should be alerted to the hazards of high surface temperature and should stay away to avoid burns or clothing ignition. Young children should be supervised when they are in the same room as the heater.



- Travis Industries, Inc. grants no warranty, implied or stated, for the installation or maintenance of your heater, and assumes no responsibility of any consequential damage(s).



- Instruct everyone in the house how to shut gas off to the appliance and at the gas main shutoff valve. The gas main shutoff valve is usually next to the gas meter or propane tank and requires a wrench to shut off.

Features:

- Works During Power Outages (millivolt system)
- High Efficiency
- Optional Thermostat or Remote Control
- Ember Fyre™ for a "Wood Fire" Look
- Quiet Blower for Effective Heat Distribution
- Convenient Operating Controls
- Variable-Rate Heat Output
- Low Maintenance

Installation Options:

- Residential or Mobile Home
- Fireplace Insert
- Masonry or Zero Clearance (Metal) Fireplace

Heating Specifications:

Approximate Heating Capacity (in square feet)*
 BTU Input Per Hour on High
 BTU Input Per Hour on Low
 Efficiency** (with blowers on)
 AFUE (Annual Fuel Utilization Efficiency)

Natural Gas

500 to 1,500

31,000

18,600

80 %

71.3 %

Propane

500 to 1,500

31,000

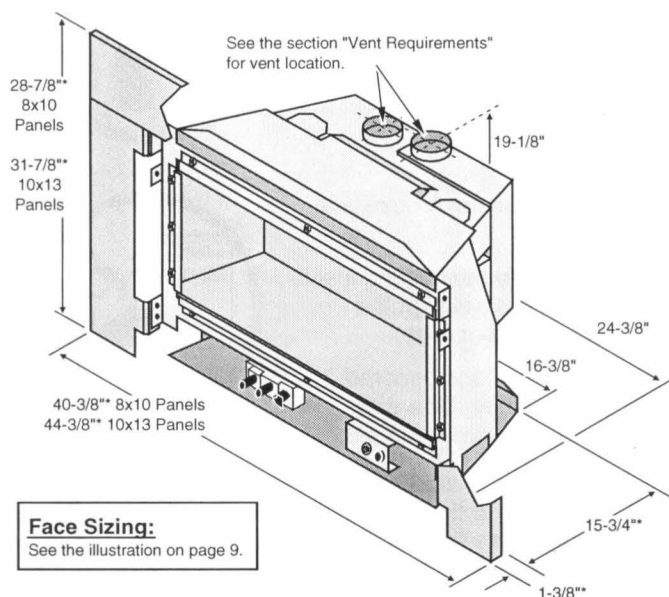
16,000

80.5 %

71.8 %

* Heating capacity will vary with floor plan, insulation, use of power heat vent, and outside temperature.

** Efficiency rating is a product thermal efficiency rating determined under continuous operation independent of installed system.



* Includes trim & standoffs

Fuel:

This heater is designed either for natural gas or for propane. Check the sticker on top of the gas control valve or check with the installer to verify gas use.

Compliance:

This unit has passed the ANSI Z21.88 – 1998, CSA 2.33 M98 Vented Gas Fireplace Heater Standard as tested by OMNI-Test Laboratories, Inc. Beaverton, Oregon.

Electrical:

120 Volts, 1.3 Amps, 60 Hz (150 watts on high)

Installation Warnings:

- ! Failure to follow all of the requirements may result in property damage, bodily injury, or even death.
- ! This heater must be installed by a qualified installer who has gone through a training program for the installation of direct vent gas appliances.
- ! This appliance must be installed in accordance with all local codes, if any; if not, follow ANSI Z223.1 and NFPA 54(88) in the USA and B-149 in Canada.
- ! In Manufactured or Mobile Homes must confirm with: In USA, Manufactured Home Construction and Safety Standard, Title 24 CFR, Part 3280; In Canada, CSA Z240.4 and Gas-Equipped Recreational Vehicles and Mobile Housing. This appliance may be installed in Manufactured Housing only after the home is site located.
- ! The DVS Insert is designed to operate on natural gas (NG) or propane (LP).
- ! All exhaust gases must be vented outside the structure of the living-area. Combustion air is drawn from outside the living-area structure.
- ! Notify your insurance company before hooking up this heater.
- ! The requirements listed below are divided into sections. All requirements must be met simultaneously. The order of installation is not rigid – the qualified installer should follow the procedure best suited for the installation.

Items Required for Installation

- Direct Vent Adapter (Simpson Duravent Part # 923GK)
- Face
- Gas Hookup Equipment
- Surround Panels (Optional - see "Installation without Surround Panels")
- 3" UL 441 Gas Liner
- Direct Vent Cap (Simpson Duravent Part # 991)

Packing List

- DVS Insert
- Log Set (Log Set, Coals, and Embers)
- Owner's Manual
- Propane Conversion Kit
- Two Leveling Bolts
- 8" Pipe Inlet (3/8" dia.)
- "Fireplace Altered" tag (attach to the fireplace)

Items Packed with the Face

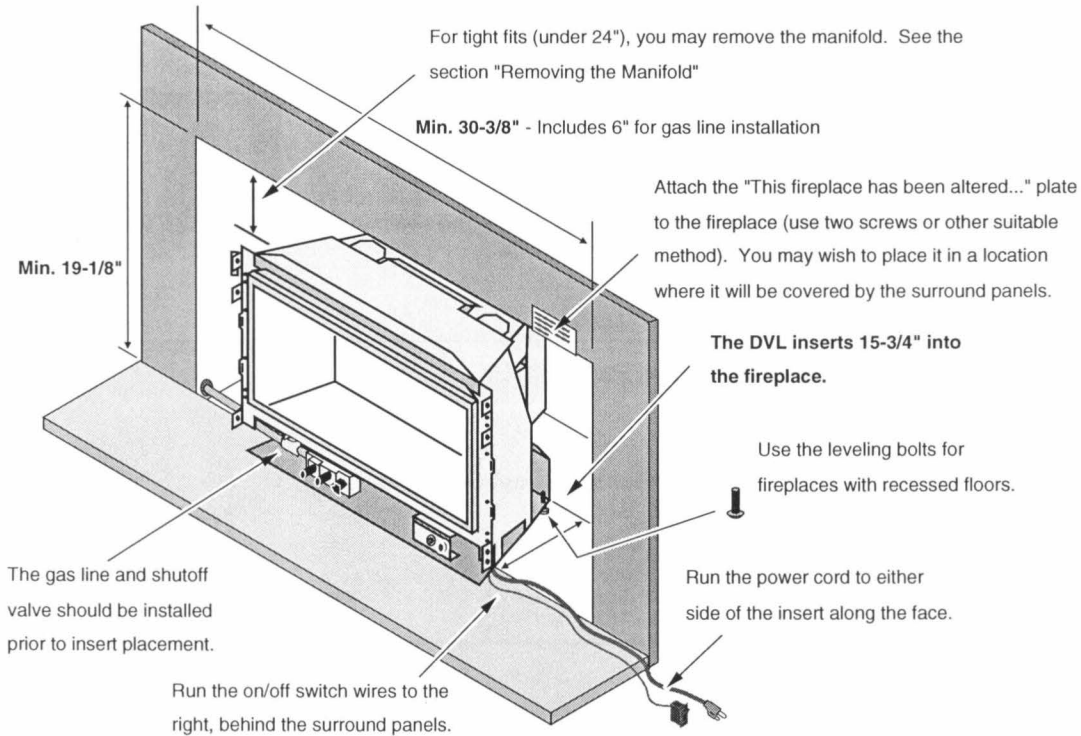
- Face (with attachment hardware)
- Face Installation Instructions

Order of Installation

- 1 If the heater is to use propane, install the propane conversion kit (see page 31)
- 2 Install gas line into the fireplace (do not connect to unit)
- 3 Position the heater (see "Insert Placement")
- 4 Connect the gas line and gas vent to the appliance.
- 5 Install the optional surround panels and trim. Attach the on/off switch.
- 6 Follow the instructions under "Finalizing the Installation" on pages 17 through 20.

Insert Placement

- Insert must be placed within a code-conforming masonry fireplace or tested and listed zero-clearance (metal) fireplace. Fix any fireplace damage prior to installation.
- Because the insert uses a circulation blower, clean the fireplace, smoke shelf, and chimney prior to installation. We recommend painting the interior surface of the fireplace with latex paint to further eliminate dust.
- This heater may be placed in a bedroom. Please be aware of the large amount of heat this appliance produces when determining a location.

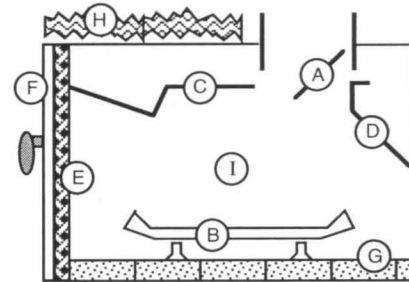


Zero-Clearance (Metal) Fireplace Requirements:

- The damper ("A") and grate (with log set) ("B") must be removed (see the illustration below)
- The smoke shelf ("C"), internal baffles ("D"), screen ("E"), masonry lining or refractory ("G" & "I"), and metal or glass doors ("F") may be removed (if applicable)

NOTE: If any internal baffle is cut, bent, or removed, the fireplace must be permanently marked to indicate that it has been altered and is no longer suitable for burning solid fuel (wood).

- The insulation ("H"), and any structured rigid frame members (metal sides, floor, door frame, face of the fireplace, etc.) must not be removed or altered.



Hearth Requirements

- The heater must be installed on a non-combustible hearth extending a minimum 12" from the fireplace opening (local codes may require a larger hearth). The hearth must also extend to both sides of the face (see the table above for the exact width of the face).

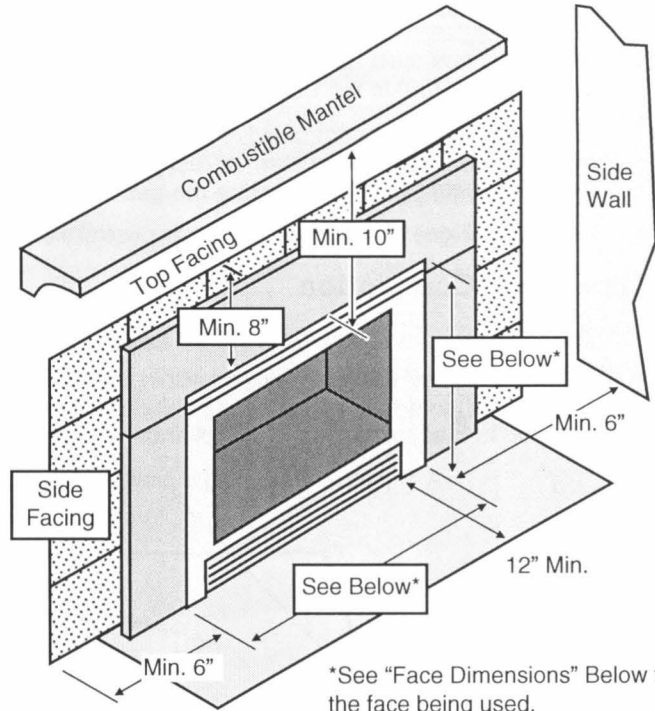
Insert Clearances

- Due to the high temperature of the fireplace, it should be located out of traffic and away from furniture and draperies.

Mantel Clearances

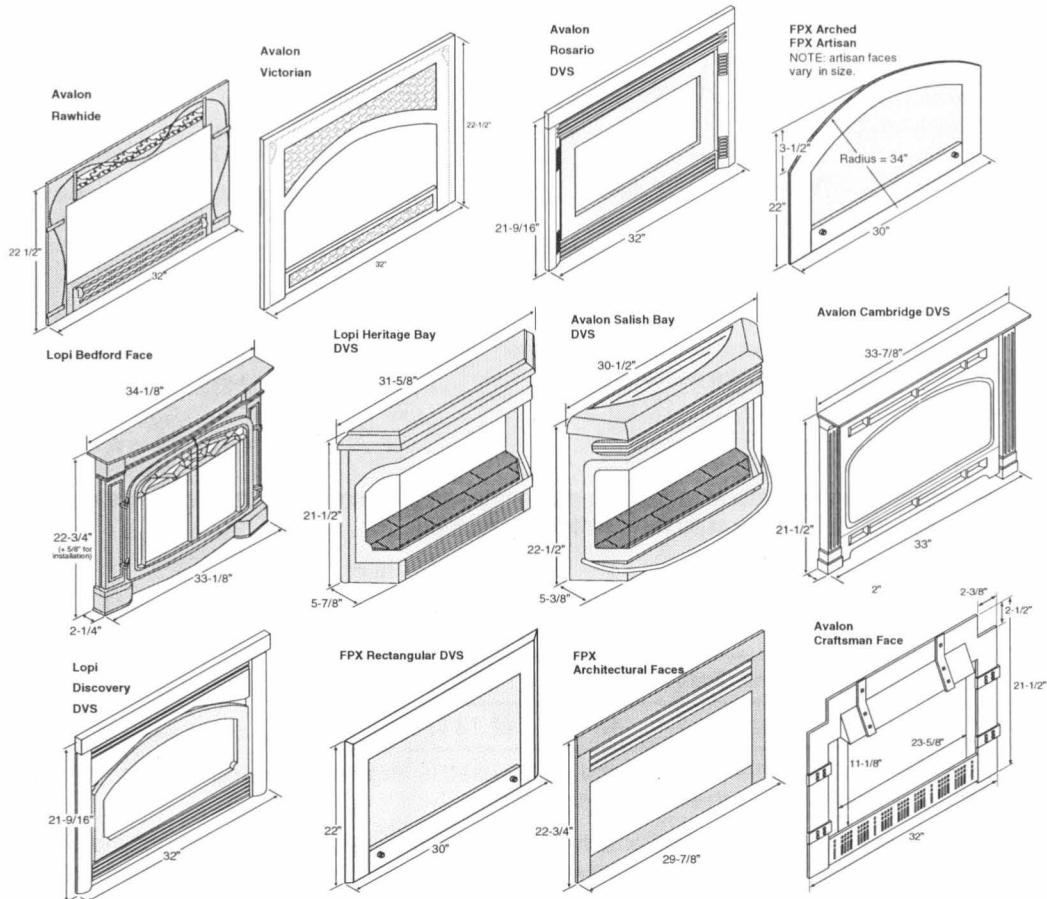
The mantel must be a minimum 10" above the face and a maximum 8" deep.

NOTE: The combustible area above the facing must not protrude more than 3/4" from the facing. If it does, it is considered a mantel and must meet the mantel requirements listed in this manual.



*See "Face Dimensions" Below for the face being used.

Face Dimensions



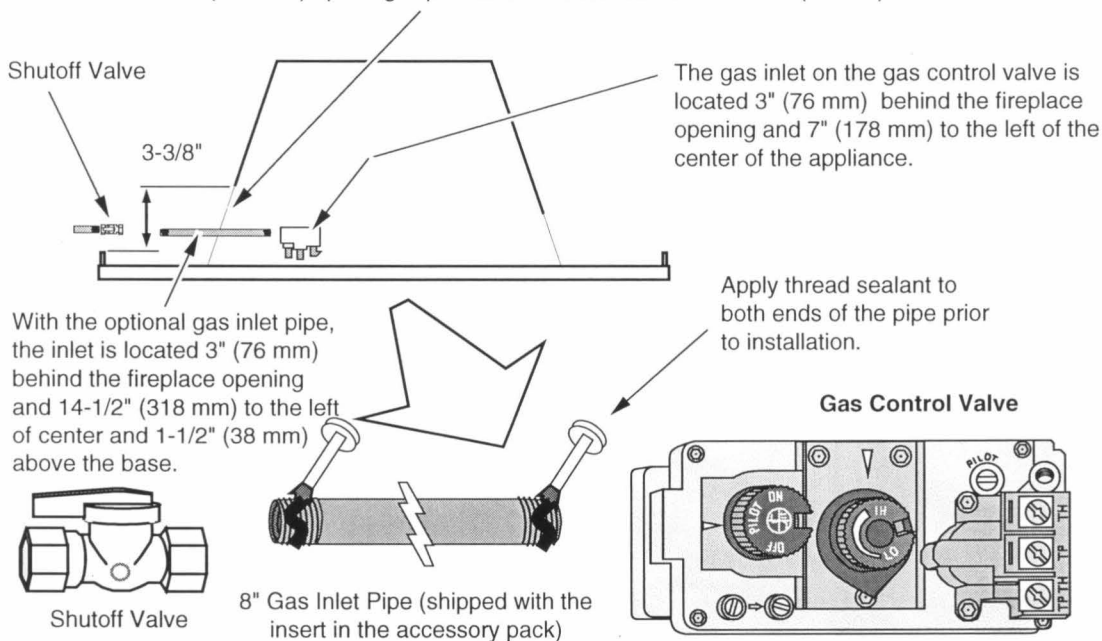
Gas Line Installation

- ! This appliance must be installed in accordance with all local codes, if any; if not, follow ANSI Z223.1 and NFPA 54(88) in the USA and B-149 in Canada.
- ! The heater and gas control valve must be disconnected from the gas supply piping during any pressure testing of that system at test pressures in excess of 1/2 psig (3.45 kPA). For pressures under 1/2 psig (3.45 kPA), isolate the gas supply piping by closing the manual shutoff valve.
- Leak test all gas line joints and the gas control valve prior to and after starting the heater.

Gas Line Connection

- The location of the gas inlet is shown below
- A manual shutoff valve is required within 3' of the fireplace. It should be placed upstream of the flex line (if used) and may be installed behind the access door inside the heater. T-Handle gas cocks are required in Massachusetts in compliance with code 248CMR.

A 4" (102 mm) opening is provided on the left side. It is 2-1/2" (64 mm) tall.



Fuel

- This heater is designed for natural gas but can be converted to propane. Check the sticker on the top of the gas control valve to make sure the correct fuel is used.

Gas Inlet Pressure

	Standard Input Pressure
Natural Gas	7" W.C. (1.74 kPA)
Propane	13" W.C. (2.73 kPA)

- ? If the pressure is not sufficient, make sure the piping used is large enough and the total gas load for the residence does not exceed the amount supplied.
- ? The supply regulator (the regulator that attaches directly to the residence inlet or to the propane tank) should supply gas at the suggested input pressure listed above. Contact the local gas supplier if the regulator is at an improper pressure.

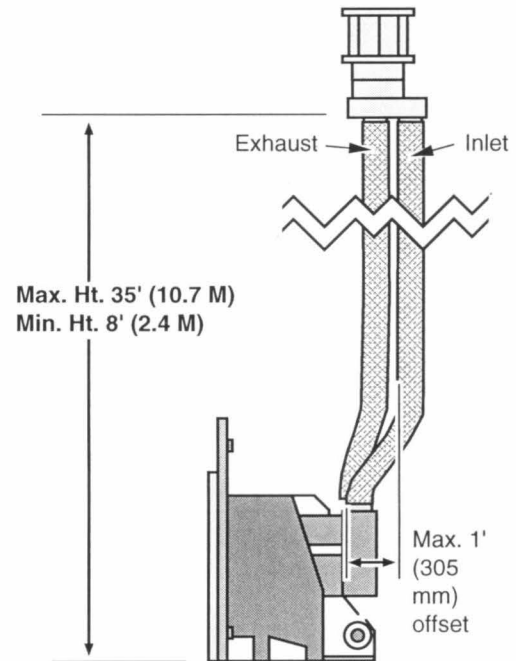
Vent Requirements

- ! The gas appliance and vent system must be vented directly to the outside of the building, and never be attached to a chimney serving a separate solid fuel or gas-burning appliance. Each direct vent gas appliance must use its own separate vent system.
- ! Make sure the exhaust pipe on the heater connects to the exhaust portion of the cap. The illustrations below show how the flex liners should be attached.
- The exhaust vent must reline the entire length of the chimney and terminate above the chimney top
- ! Be careful not to crimp or rupture the liner when bending it into chimney offsets
- When installed, the vent must meet all of the vent manufacturer's requirements
- Make sure to order the following:
 - 3" UL 441 Gas Liner for Air Inlet and Exhaust
 - Dura-Vent Adapter & Flashing (part # 923GK).
 - Vertical Termination Cap (Dura-Vent pt # 991)

Altitude Considerations

This heater has been tested at altitudes ranging from sea level to 8,000 feet (2,400 M). In this testing we have found that the heater, with its standard orifice, burns correctly with just an air shutter adjustment. If local codes require resizing the orifice, in the U.S.A. refer to ANSI 223.1, Appendix P, in Canada B-149.1 or B-149.2

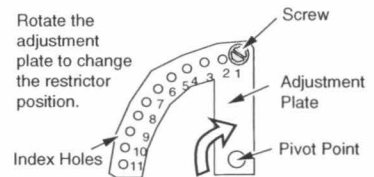
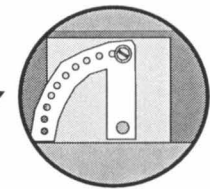
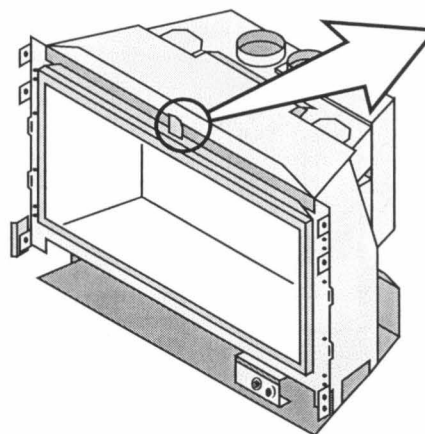
- ! Failure to adjust the air shutter properly may lead to improper combustion which can create a safety hazard. Consult your dealer or installer if you suspect an improperly adjusted air shutter.



Vent Restrictor

WARNING: Restrictor adjustment should only be done by a qualified installer.

Only those installations determined to be over-drafting require this adjustment. The best indication of over-drafting is a hyper-active flame pattern (flames that move too quickly). If the air shutter is constricted, the flames become short and yellow, yet still very active. Over-drafting may affect the pilot, but this is not the best way to determine over-drafting. Over-drafting is most likely in tall venting configurations (especially if using an "Exhaust Only Re-Line"). Do not over-restrict the vent (this leads to ghosting or lifting flames - reduce restrictor setting).



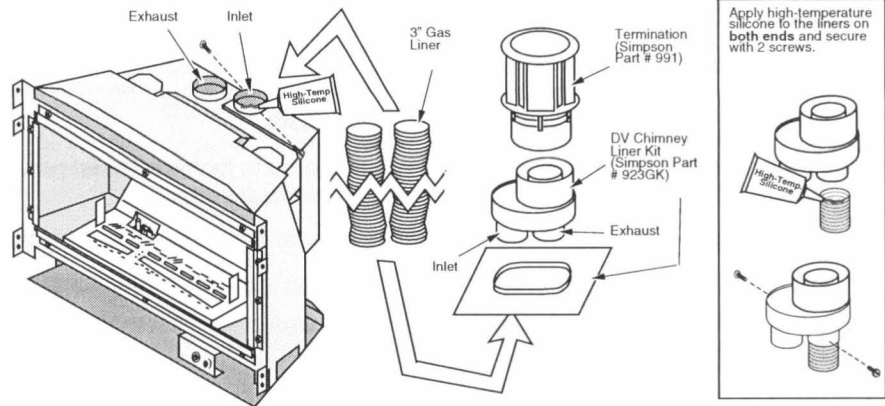
This restrictor is in Position #3.

NOTE: Position #1 is the fully open position

To Adjust the Restrictor:

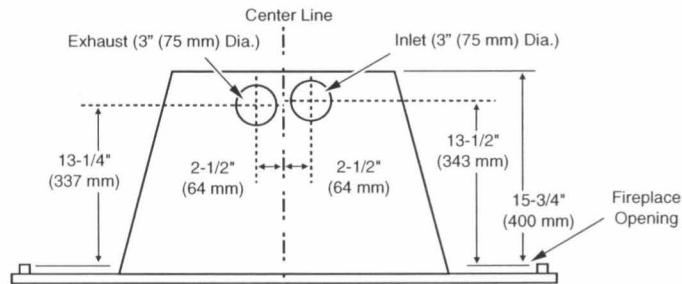
- 1 Determine a restrictor position. Start low (move the restrictor a maximum two positions at a time) and thoroughly test the heater before adjusting further.
- 2 Remove the screw with a 1/4" nutdriver (or screwdriver).
- 3 Rotate the adjustment plate clockwise until the correct index hole is below the pivot point.
- 4 Insert the screw into the correct index hole and tighten.

Vent Installation

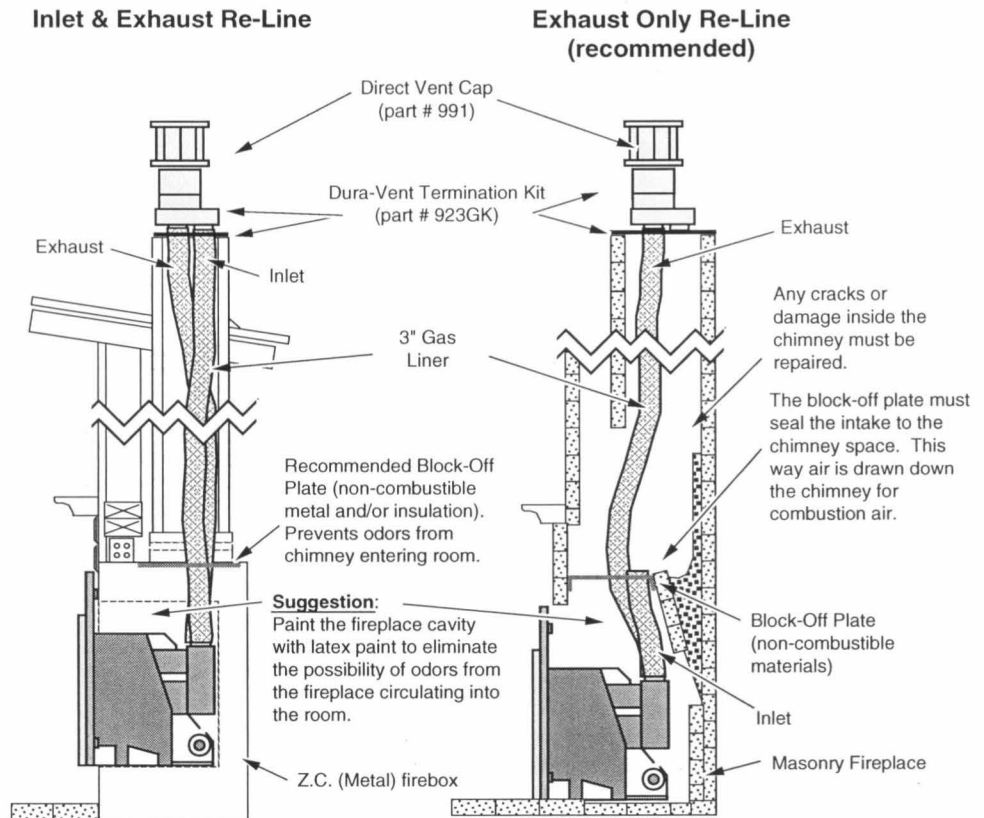


Make sure to route the exhaust liner to the exhaust portion of the cap.

Vent Location



Vent Configurations

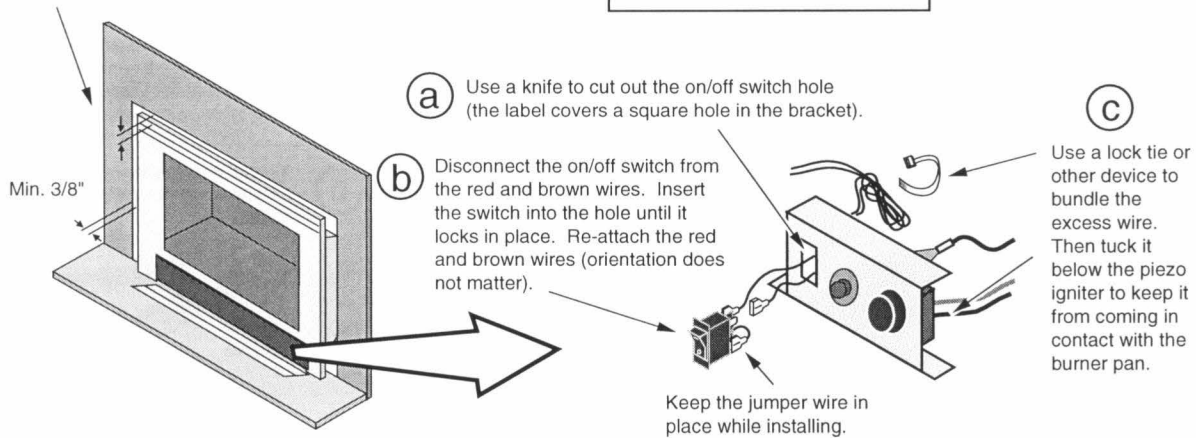


NOTE: You may use either re-line configuration with a masonry or zero-clearance fireplace.

Installation Without Surround Panels

The insert may be installed without surround panels if a 3/8" gap is allowed between the sides and top of the face and the fireplace (for ventilation). Wire mesh screen may be placed over this gap.

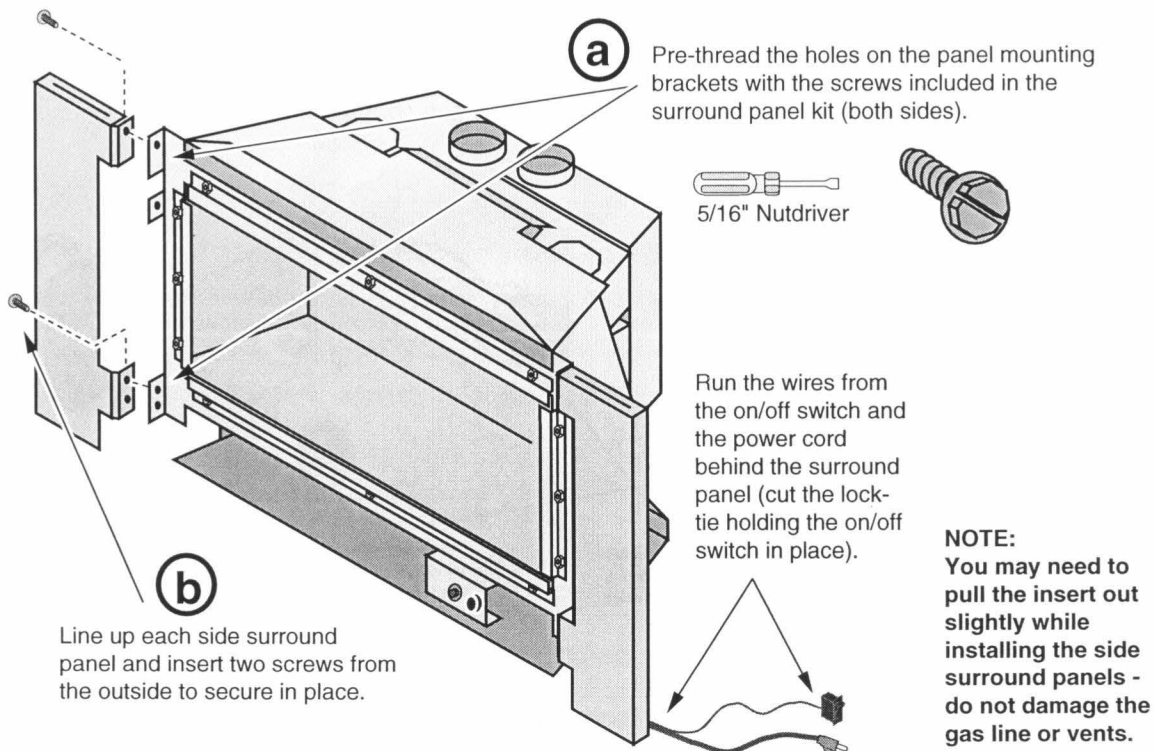
Face Sizing:
See page 9 for face dimensions.



Surround Panel Installation

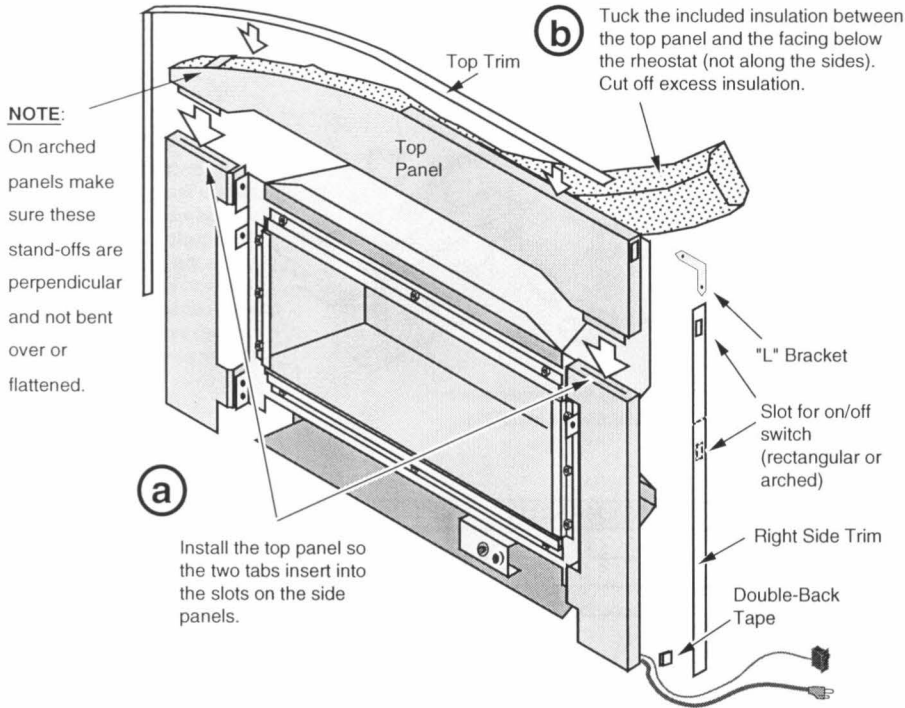
PANEL SIZE	WIDTH	HEIGHT	PART #
8" x 10"	40-3/8"	28-7/8"	98500610
10" x 13"	44-3/8"	31-7/8"	98500611
Arched 8" x 10"	40-5/16"	28-7/8"	98500622

- ! Turn the gas source off prior to installing.
- 1 With the gas line and vent attached, install the side panels (see the illustration below).

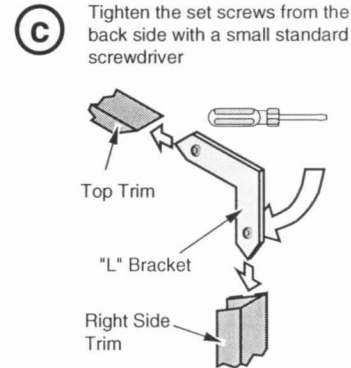


Surround Panel Installation *(continued)*

2 Install the top panel (arched or rectangular), insulation, and trim.

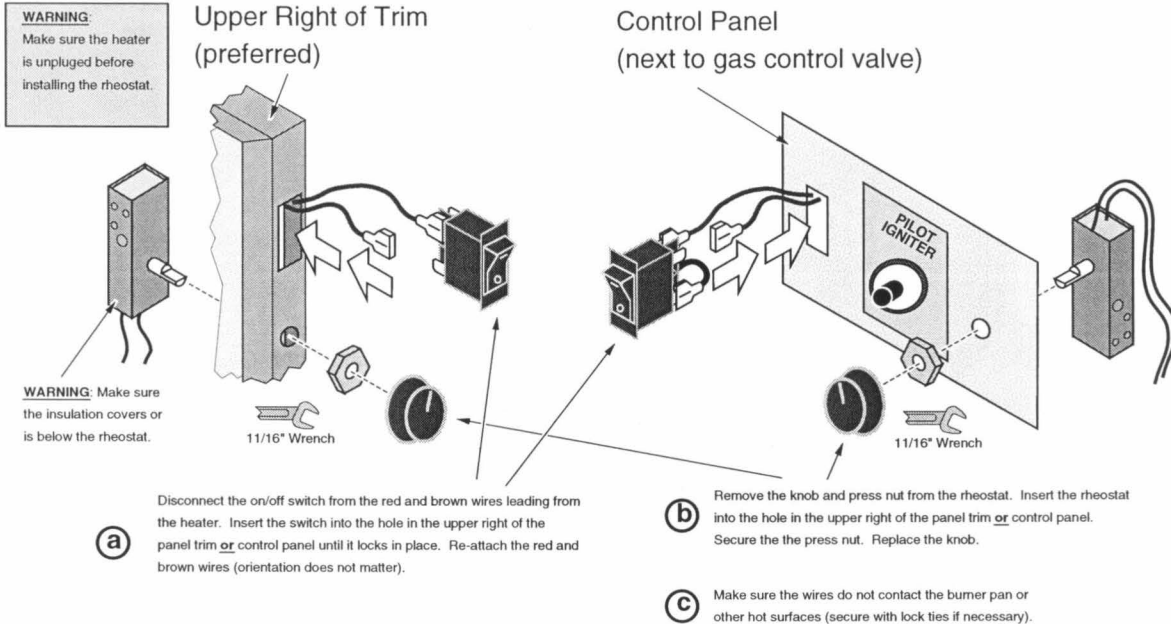


WARNING: The insulation must be installed along the top of the insert and should cover or be below the rheostat (to protect it from heat). Failure to install the insulation will invalidate facing and mantel clearances, creating a fire hazard.



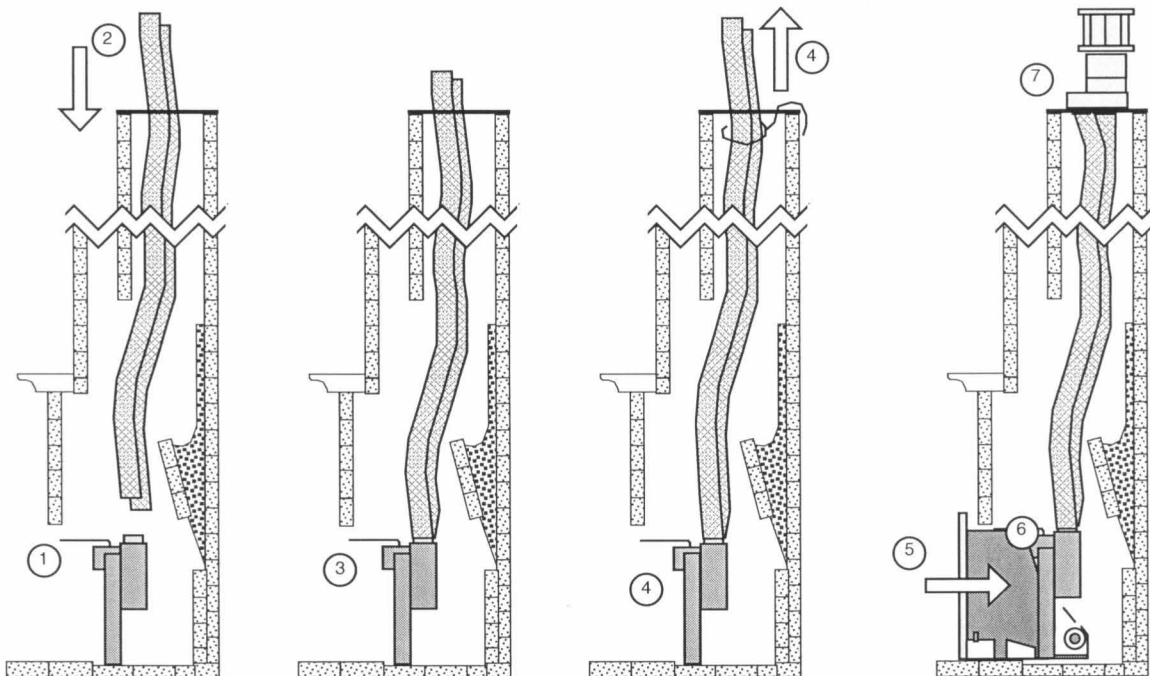
Construct the panel trim. Insert one leg of each "L" bracket into the top and side trim piece. Align the trim to form a precise corner, then tighten the two set screws with a small standard screwdriver. Slide the trim over the panels. Attach a piece of included double-back tape to the bottom of each side trim to keep it from flaring at the bottom.

3 Follow the directions below to install the on/off switch and rheostat (both are included with the insert).



Manifold Removal and Installation

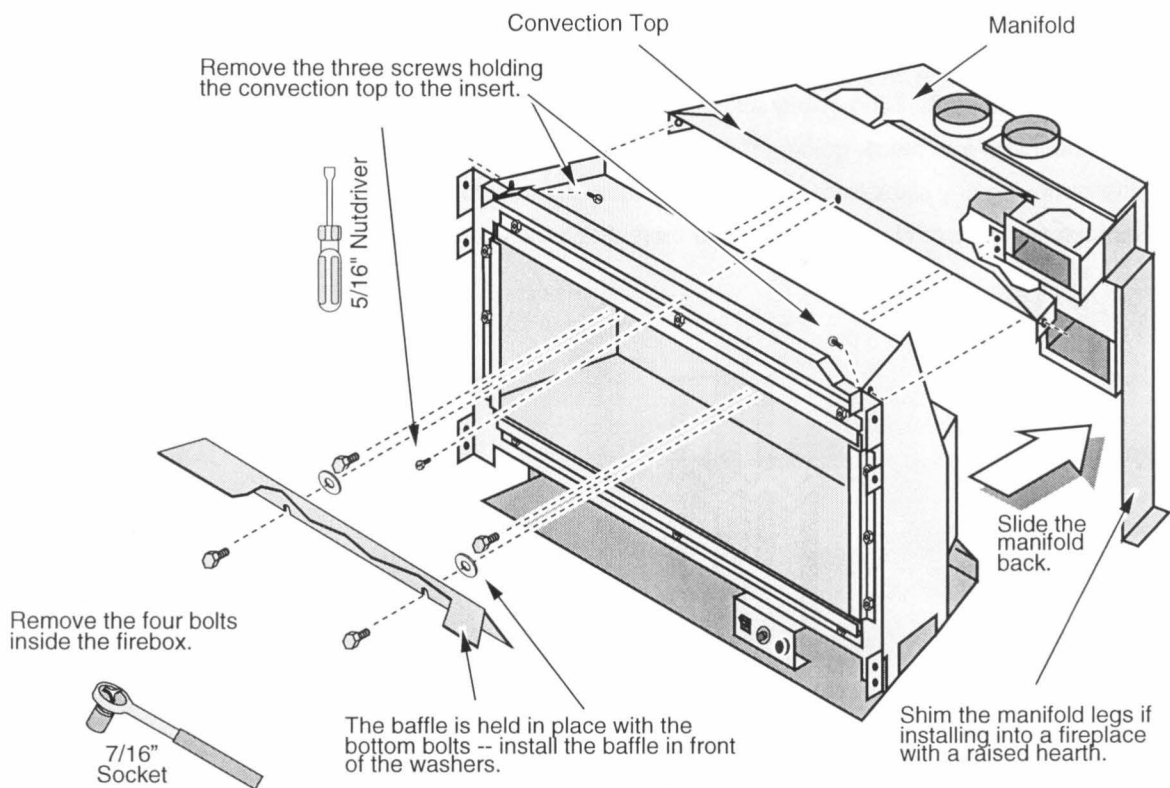
- The manifold is shipped attached to the insert, but may be removed to facilitate especially tight installations. See the directions below for installation.
- 1 Remove the manifold and place it within the fireplace (see the instructions on the following page).
 - 2 Route the flex vent through the chimney from above (leave an extra 3' (914 mm) at the top).
 - 3 Attach the flex vent to the manifold (seal with silicone and attach with screws).
 - 4 Place the manifold in an upright position (so it rests on the manifold legs) and have a partner pull on the excess flex vent. Temporarily attach the flex vent to the top of the chimney (leave extra slack).
 - 5 Slide the insert into place, guiding the convection top over the insert until fully in place.
 - 6 After removing any slack from the flex vent, attach the manifold to the appliance.
 - 7 Remove any excess slack in the flex line then attach the vent termination.



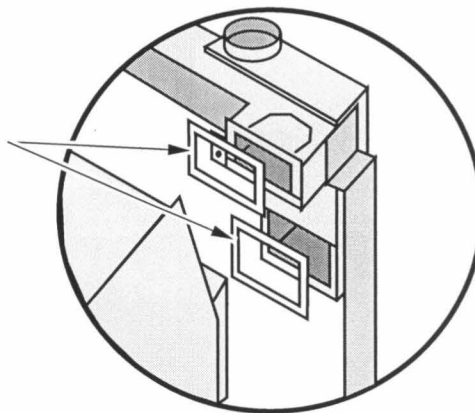
Manifold Removal and Installation (Continued)

Remove the glass (see the instructions on page 17). Follow the directions below to remove the manifold.

NOTE: When replacing the manifold, use the convection top to guide the manifold. You may also reach through the exhaust ducts to guide the manifold forward to the appropriate location.



NOTE: when installing the manifold, make sure the gaskets sealing the inlet and exhaust ducts are in place. If a gasket is loose, use high-temperature silicone to secure it to the manifold.



Electrical Connection

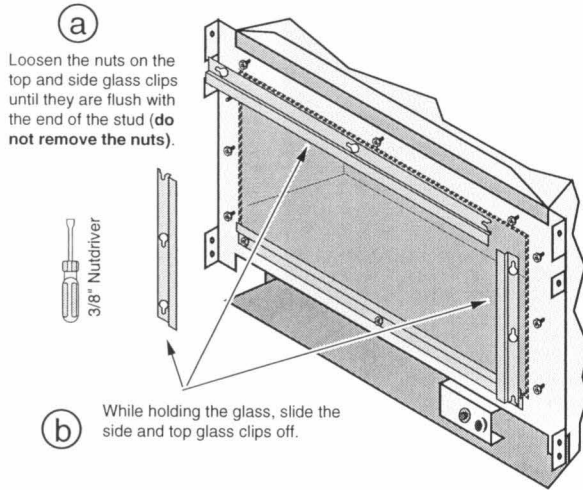
- Plug the power cord into a grounded 120 Volt outlet (do not remove the grounding pin).

- 1 Remove the glass (and arch covers) following the directions below.

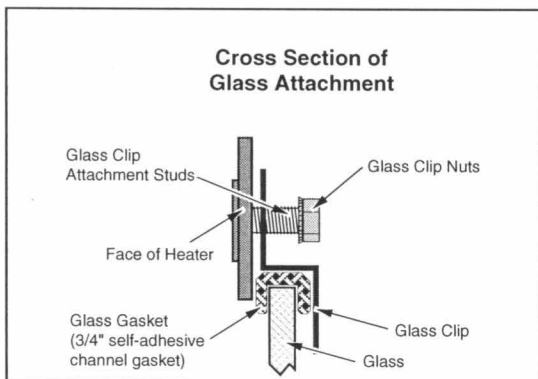
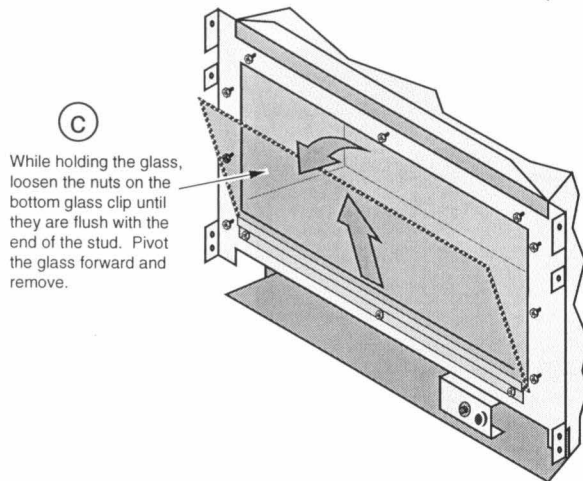
Warning: The appliance must be completely cool before removing the glass.

Note: If using an FPX arched face, attach the arch covers after installing the glass.

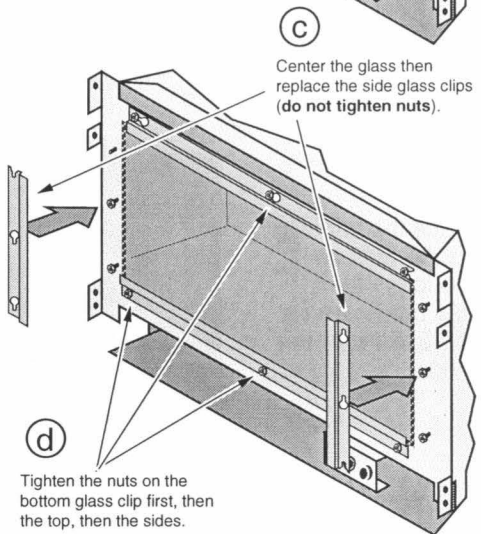
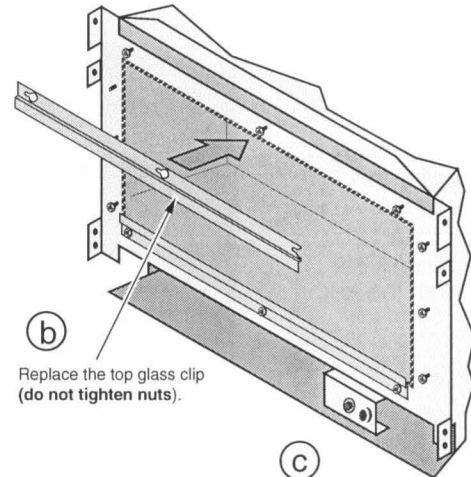
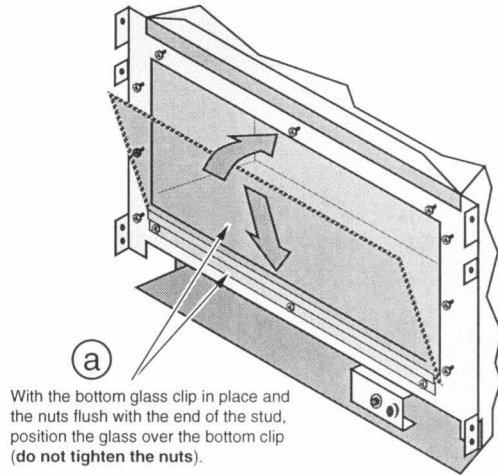
Removing the Glass



(b) While holding the glass, slide the side and top glass clips off.



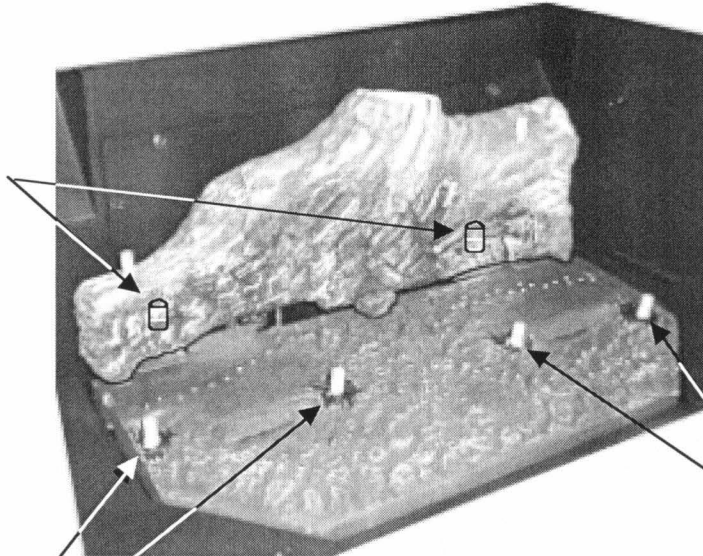
Replacing the Glass



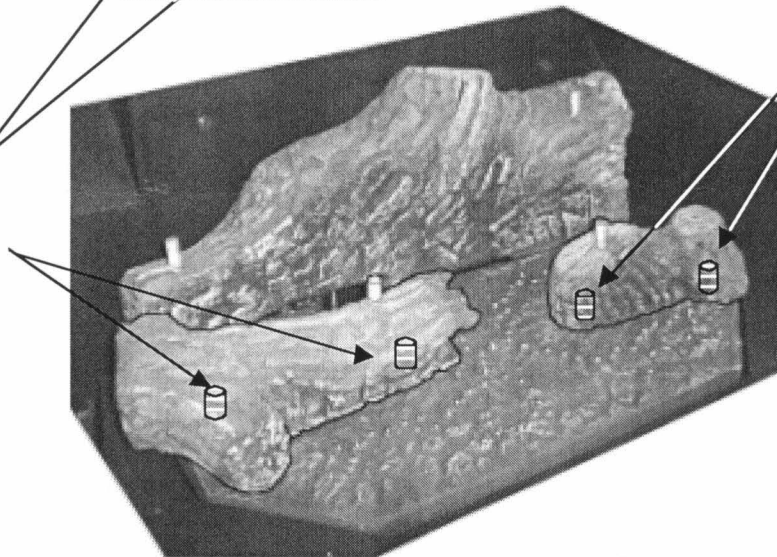
Finalizing the Installation

- ? If converting this unit to propane, do so now (see the instructions on page 31).
- 2 Install the log set and embers (if using the decorative fireback, install it prior to the log set)

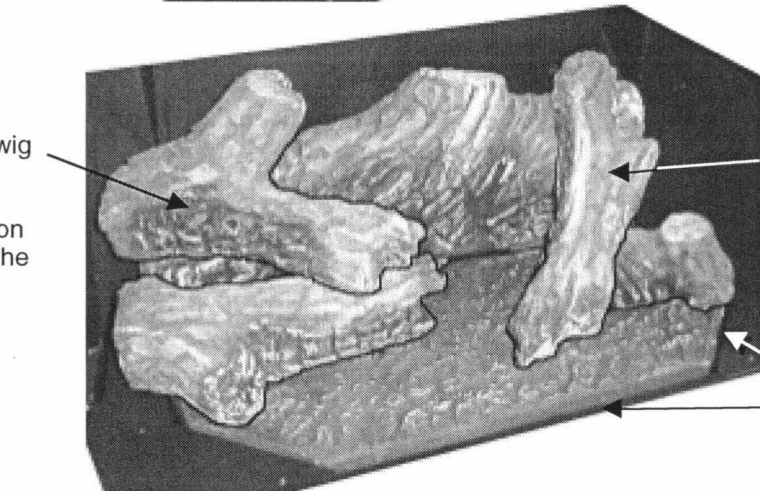
Place the rear log so the pins on the burner insert into the holes on the bottom of the log.



Place the right log so the pins (or bolts) on the burner insert into the holes on the bottom of the log.

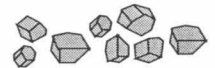


Place the left log so the pins (or bolts) on the burner insert into the holes on the bottom of the log.



Place the left twig so the pins on the logs insert into the holes on the bottom of the twig.

Place the right twig so the pins on the logs insert into the holes on the bottom of the twig.



Place the ember chunks around the perimeter of the burner to conceal the gap.

- ! We recommend you purge the gas line at this time (with the glass removed). This allows gas to be detected once it enters the firebox, ensuring gas does not build up.
- 3 Turn on gas to the heater. Leak test all gas joints prior to starting the appliance. Start the pilot (see page 22).

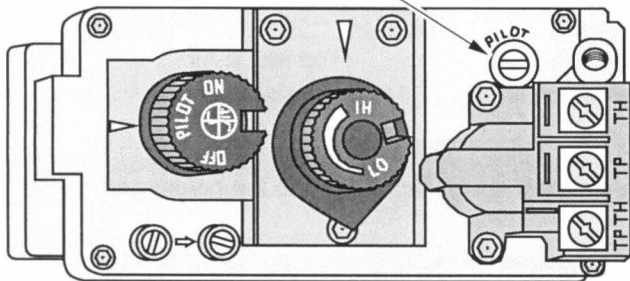
Warning: When lighting or re-lighting the pilot, the glass must be removed (see page 22 for the full set of instructions on starting the pilot).

- 4 Replace the glass (see page 17). Start the main burner. Leak test all gas joints again.
- 5 Install the faceplate following the instructions included with the face (shut off the insert if necessary).

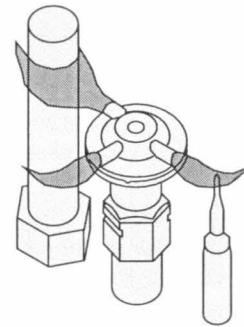
! **ACID WASH WARNING:** Before installing the faceplate, make sure any masonry that has been treated with acid wash has been properly neutralized (this is used primarily with brick faces). Acid wash (muriatic acid) is used to remove excess mortar. If not properly neutralized with an ammonia solution, the gold or nickel face may develop a permanent tarnish when the acid evaporates over time. Contact your dealer if uncertain your facing has been properly neutralized.

- 6 Check the pilot flame to make sure it looks like the illustration below. Adjust the pilot flame if necessary.

To adjust the pilot flame, turn this screw. Clockwise lowers the flame while counter-clockwise raises it.



The pilot flame must contact the thermocouple and thermopile (see the illustration below). Adjust the pilot up or down as necessary.

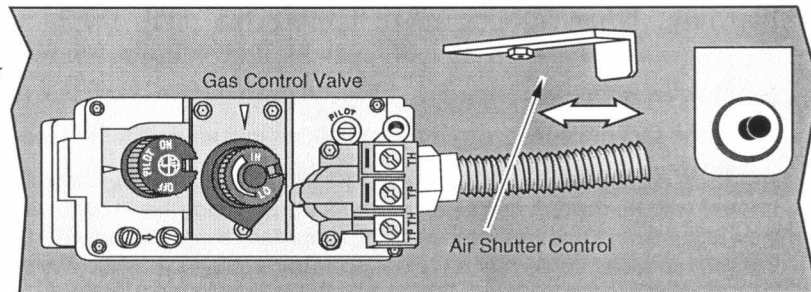


- 7 Let the heater burn for fifteen minutes. Adjust the air shutter, if necessary, to achieve the correct looking flame (see the illustration below).
 - The air shutter adjusts the amount of air that mixes with the gas before it exits the burner holes. It is used to fine-tune the flame for differences in altitude and vent configuration.

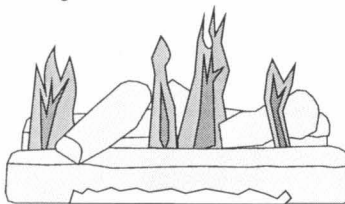
ADJUSTING THE AIR SHUTTER

Pushing to the right gives the flame less air (making it more orange). Pushing to the left gives the flame more air, making it more blue. For fine adjustments use a screwdriver to tap the air shutter.

NOTE: If the air shutter is all the way open, yet the flames remain sooty, shut off gas to the fireplace and contact a qualified gas service technician.

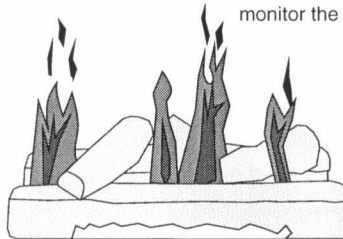


NOTE: The logs must be installed correctly to monitor the flame while adjusting the air shutter.



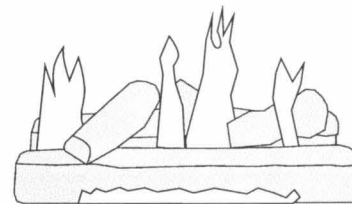
Correct

Flames should be blue at the base, yellow-orange on the top.



Not Enough Air

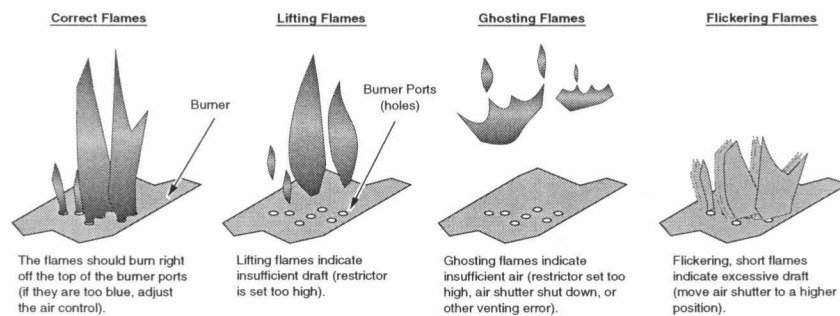
If the flames are over 14" tall or sooty on the ends, open the air shutter.



Too Much Air

If the flames are all blue and short, close the air shutter.

- ! If the air shutter is in its fully open position, yet the flames remain sooty, shut off gas to the heater and contact the Travis Dealer for instructions.
- ! If the vent configuration is installed incorrectly the vent may cause the flames inside the heater to lift or "ghost" – a dangerous situation. Inspect the flames after installation to insure proper performance. If the vent configuration is correct, yet the flames are lifting or ghosting, shut off gas to the heater and contact the dealer for information on remedying the problem.
- ! This heater has been tested at altitudes up to 8,000 feet. In this testing we have found that the heater, with its standard orifice, burns correctly with just an air shutter adjustment.
- ! **Failure to properly adjust the air shutter may lead to improper combustion and a safety hazard. Consult your dealer if you suspect an improperly adjusted air shutter.**

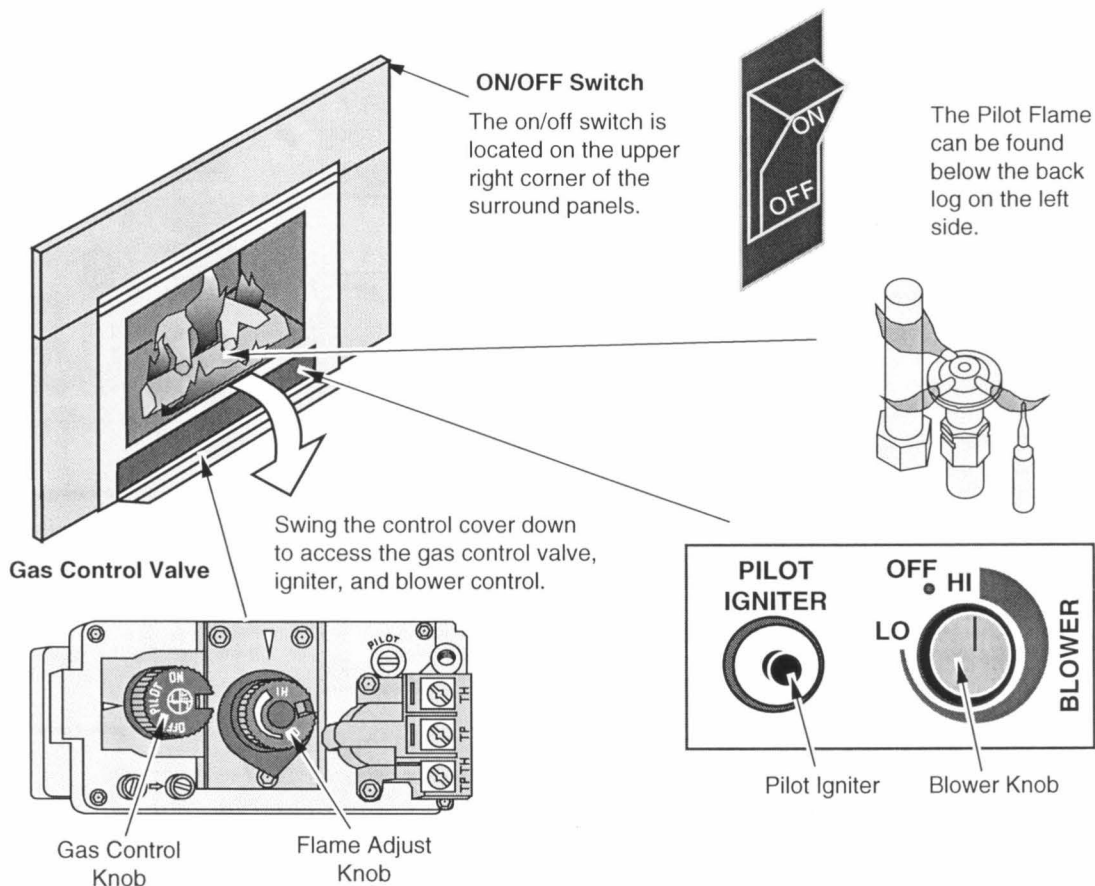


- 8 Turn the flame adjust knob to its highest position - the flames should be approximately 12" tall. Check the flame on low position. The flames should burn off of each burner hole. If the heater does not work correctly, contact the Travis Dealer for instructions.
- 9 Give this manual to the home owner and fully explain the operation of this heater.

Before You Begin

! Read this entire manual before you use your new heater (especially the section "Safety Precautions" on pages 4 & 5). Failure to follow the instructions may result in property damage, bodily injury, or even death.

Location of Controls - See explanation below



Blower Knob

This knob controls the speed of the internal convection blower that pushes the heated air into the room.

On/Off Switch

This control is used to turn the heater on and off.

Pilot Igniter

The pilot igniter is used only to start the pilot. When pressed, it sends an electrical charge to the pilot assembly. This creates a blue spark directly next to the pilot, igniting the pilot flame.

Gas Control Knob

This knob is used to control gas to the heater and for starting the pilot. There are three positions, ON, OFF, & PILOT. The pointer directly below the knob indicates the position this knob is in.

Flame Adjust Knob

This knob controls the flame height from low ("LO") to high ("HI"). The pointer to the upper left of the knob points to the position this knob is in.

? If using a remote control or thermostat, the On/Off Switch must be left "ON". Turning the On/Off Switch "OFF" will keep the heater off always.

Starting The Pilot Flame

The pilot flame is required to ignite the main burners (it also plays a safety role). It should be left on once lit. It will stay lit unless the gas control valve is turned to "OFF". However, the pilot will go out if the gas is shut off, the propane tank runs out (or low) or if the stove malfunctions. If the pilot turns off frequently, call your dealer for information. To start the pilot follow the directions below:

WARNING:

When lighting or re-lighting the pilot, the glass must be removed (see page 17).

- Remove the glass (see page 17 for details).
- Push the gas control knob in slightly and turn it to the "OFF" position. The knob will not turn from "ON" to "OFF" unless the knob is depressed slightly. Wait five minutes to let any gas that may have accumulated inside the firebox escape. If you smell leaking gas, follow the directions on the cover "IF YOU SMELL GAS".
- Turn the gas control knob to the "PILOT" position and press the knob in, this will allow gas to flow to the pilot light. Press the button on the pilot igniter repeatedly until you see the pilot light.

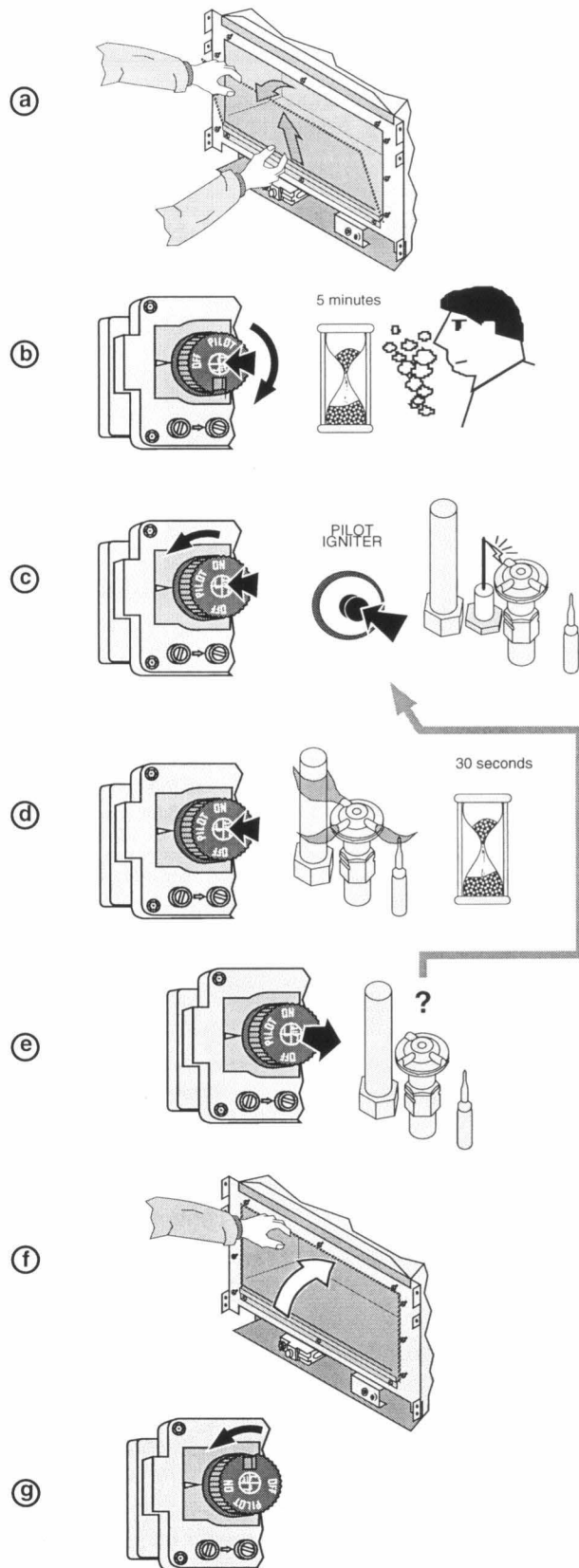
WARNING:

If the pilot does not light after 15 seconds, release the knob and call your dealer for service. Do not attempt to light pilot until service has been performed.

NOTE:

You may wish to remove the log set to gain a better view of the pilot (see page 18).

- Keep the gas control knob depressed for 30 seconds once it is lit.
- Release the gas control knob. If the pilot goes out, repeat step C. If the pilot refuses to stay lit, call your dealer for service. With the pilot lit, proceed to step "f".
- Replace the glass.
- Turn the gas control knob counter-clockwise to "ON". The pilot is now lit and the heater can be turned on and off.

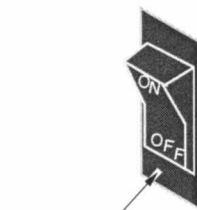


Starting the Heater for the First Time

- + Burn the heater at a medium setting for approximately one hour the first time. This will cure the painted surfaces. **Fumes** from the paint curing and oil burning off the steel may occur. This is normal. We recommend you open the window to vent the room.
- + **Condensation** may appear on the glass each time you start the Heater - this is normal.
- + **Blue Flames** will occur on the heater when it first comes on. After fifteen minutes the flames will turn a more realistic yellow and orange color.
- ? Certain installations use a remote "wall switch" to turn the heater on and off. If this is the case, leave the ON/OFF switch "ON".

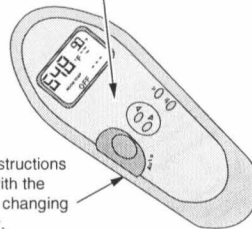
Turning the Heater On and Off

After the pilot has been started...



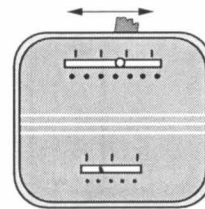
Use this switch to turn the main burner on and off manually.

See the instructions included with the remote for details on operation.



See the instructions included with the remote for changing the battery.

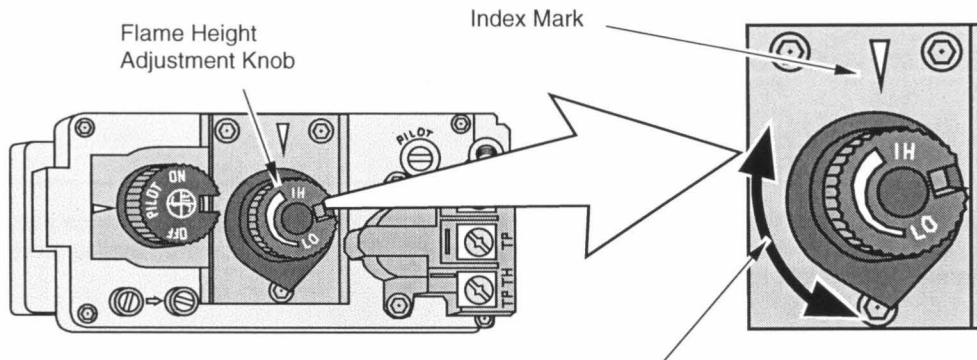
For systems with wall thermostats, use this switch to control the temperature (right is hotter, left cooler). Some systems require the on/off switch to be on.



- ! Do not place any combustible items on top of or directly in front of the heater, even temporarily. The optional thermostat may start the heater causing a combustible item to ignite.
- ? If the heater turns on and off frequently while using the thermostat, you may want to adjust the flame height down until it produces just enough heat needed.

Adjusting the Flame Height

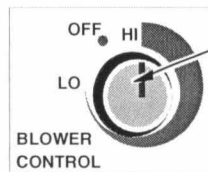
- + Your heater has an adjustable flame to tailor the look and heat output to your specific needs. It is adjusted by turning the "HI - LO" dial on the gas control valve.



Turn counter-clockwise to adjust the flame higher, clockwise to lower.

Adjusting the Blower Speed

The internal blower helps transfer the heat from the heater into the room. It will not turn on until the heater is up to temperature (approximately 10 minutes after starting). See the illustration below for instructions on adjusting the blower speed.



Blower Knob

Turn the knob all the way counter-clockwise to turn the blower off. One click clockwise turns the blower to high speed. Turning the knob clockwise from the high position decreases the speed of the blower.

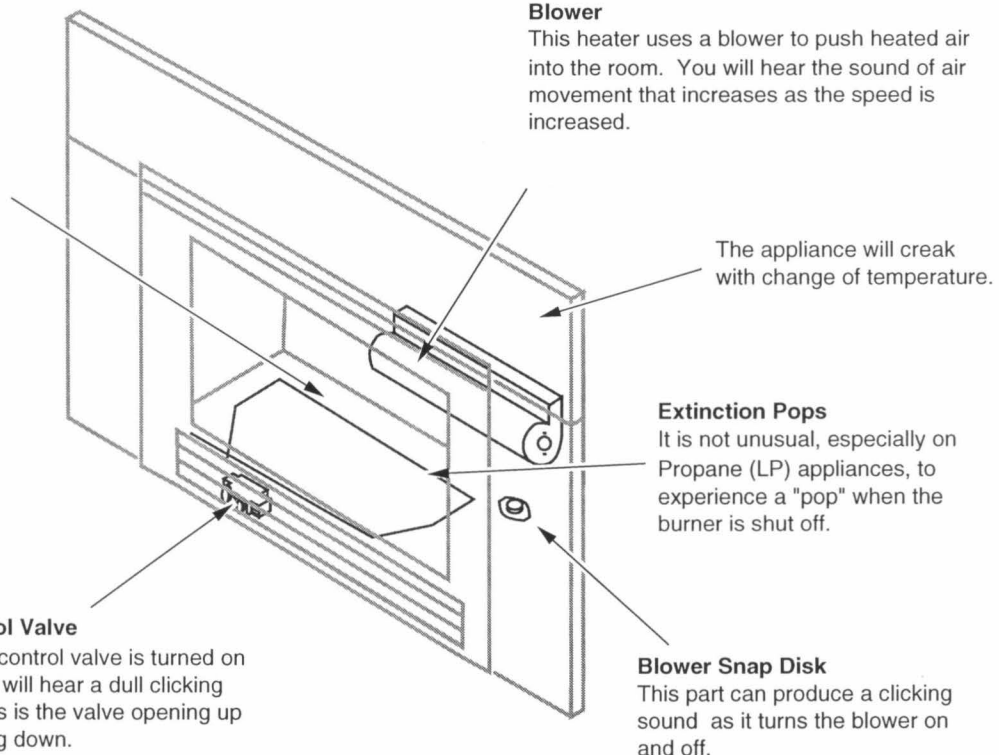
Normal Operating Sounds

Pilot Flame

The pilot flame, which remains on, makes a very slight "whisper" sound.

Blower

This heater uses a blower to push heated air into the room. You will hear the sound of air movement that increases as the speed is increased.



The appliance will creak with change of temperature.

Extinction Pops

It is not unusual, especially on Propane (LP) appliances, to experience a "pop" when the burner is shut off.

Gas Control Valve

As the gas control valve is turned on and off you will hear a dull clicking sound. This is the valve opening up and shutting down.

Blower Snap Disk

This part can produce a clicking sound as it turns the blower on and off.

Normal Operating Odors

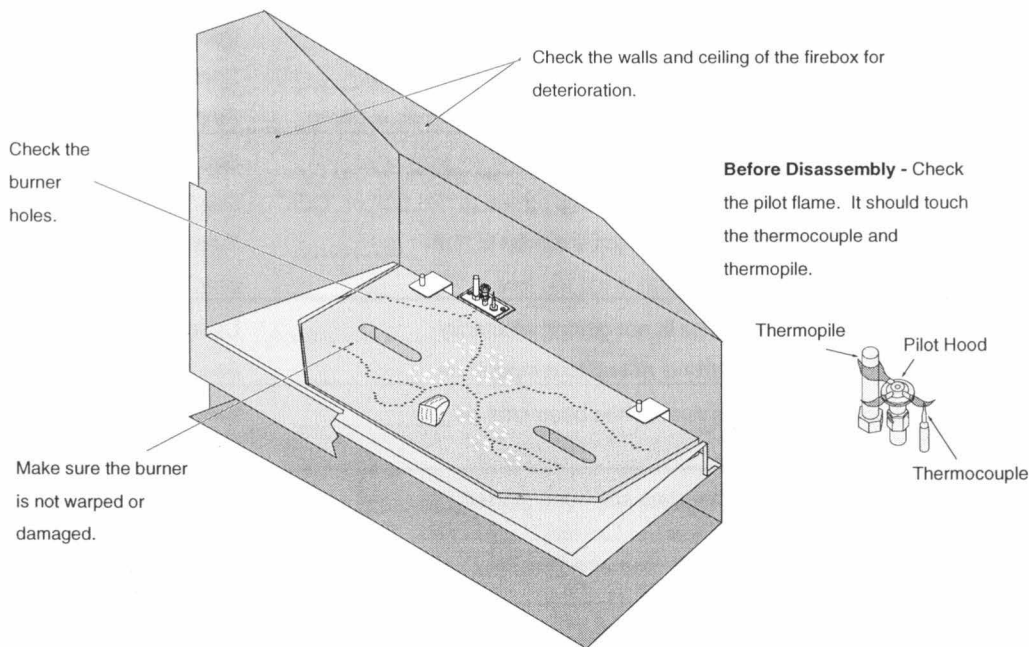
This appliance has several areas that reach high temperatures. Dust or other particles on these areas may burn and create an odor. This is normal during start-up. You may notice the smell is more acute if the appliance was left idle for a long period.

Maintaining Your Heater's Appearance

- ! Fingerprints or other marks left on the optional gold or nickel surface may become etched in place if they are not wiped clean prior to turning the stove on. Clean the gold or nickel with denatured alcohol and a soft cloth (make sure the heater is cool). Other cleaners may leave a film that may become etched into the gold or nickel.

Yearly Service Procedure

- ! Failure to inspect and maintain the heater may lead to improper combustion and a potentially dangerous situation. We recommend the following procedures be done by a qualified technician.
- 1 Check the pilot flame. It should touch approximately 3/8" of the top of the thermopile and touch the top of the thermocouple (see illustration below). If it does not, contact your dealer for service.
- 2 Shut off gas to the heater by turning the gas control knob to "OFF" (see step A under "Starting the Pilot" on page 22). Let the heater cool for 15 minutes. Remove the faceplate (see instructions included with face) and glass (see page 16).
- 3 Remove the log set (**NOTE: the logs are very fragile** - see page 18). If severely deteriorated, replace. Check the logs for sooting. A small amount of soot along the bottom of the logs is normal. If excessive sooting is found, the heater will require adjustment. Contact your dealer.
- 4 Clean the burner tube (especially the burner holes) and inspect the following:
 - Check for burner tube holes that are cracked, severely warped, or corroded.
 - Make sure the burner assembly is not warped or damaged.
 - Check the firebox and area around the pilot to make sure there is no warping or damage. If any problem is found, discontinue use and contact your dealer for service.



- 5 Replace the log set. Replace the glass. Make sure the gasket along the perimeter of the glass contacts the face of the firebox and forms an air-tight seal. If it does not, re-align. If the glass or glass frame is damaged, replace it.
- 6 Inspect the area behind the access door. Clean if necessary. Check the gas control valve and the gas lines. If any damage is found, discontinue use and contact your dealer for service. Clean the air channels and ducts.
- 7 Start the pilot and turn on the main burner. The flames should be orange/yellow and not touch the top of the firebox. If the pilot or main burners do not burn correctly, contact your dealer for service. Monitor the blower operation.
- 8 Remove any debris or vegetation near the vent termination. Contact your dealer if any sooting or deterioration is found near the vent termination.

Troubleshooting Table

Problem:	Possible Cause:	Don't Call for Service Until You:
Pilot Will Not Light	A gas shut off valve is turned off..... The gas control knob isn't turned to "PILOT"..... The valve control knob isn't pushed in..... The igniter wasn't pressed repeatedly..... No Propane in Tank.....	Check all gas shut off valves See "Starting the Pilot Light" Step C See "Starting the Pilot Light" Step C See "Starting the Pilot Light" Step C Check Tank Level
Main Burners Will Not Start	The pilot light has gone out..... The gas control valve is turned to "PILOT" or "OFF" The ON/OFF switch is turned to "OFF"..... The remote control is not working correctly..... The thermostat is disconnected or set too low.....	See "Starting the Pilot Light" See "Starting the Pilot Light" Turn the ON/OFF switch to "ON" See the remote control instructions See "Thermostat Operation"
Remote Control Does Not Work	The pilot light has gone out..... The gas control valve is turned to "PILOT" or "OFF" The ON/OFF switch is turned to "OFF"..... The remote is too far away from the heater..... The remote control receiver is turned "Off"..... One of the two remote control batteries is dead.....	See "Starting the Pilot Light" See "Starting the Pilot Light" Turn the ON/OFF switch to "ON" Use the remote closer to the heater See the remote control instructions See the remote control instructions
Thermostat Does Not Work	The pilot light has gone out..... The gas control valve is turned to "PILOT" or "OFF" The ON/OFF switch is turned to "OFF"..... The thermostat is set too low.....	See "Starting the Pilot Light" See "Starting the Pilot Light" Turn the ON/OFF switch to "ON" See "Thermostat Operation"
Heater Will Not Distribute Heat	The heater is not getting electricity..... The heater is not up to temperature.....	Check the breaker switch See "Operating Your Heater"
Pilot Goes Out Once A Month Or More	The gas supply has been shut off.....	Keep the gas supply turned on
Flames Are Too Blue	The heater has just been started..... Improper air shutter adjustment.....	This is normal - see "Starting the Heater for the First Time" Adjust Air Shutter - contact your dealer
Flames Are Too Short (Under 6")	The flame height may be turned too low.....	Turn the flame height to "HI" - See "Adjusting the Flame Height"
Thin Layer of Soot Covers the Glass	The logs or coals are placed incorrectly..... Improper air shutter adjustment.....	See "Log Set Installation and Removal" Adjust Air Shutter - contact your dealer

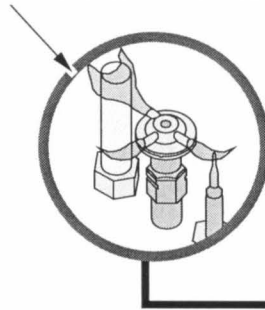
How this Heater Works

! This heater was designed with safety as the primary concern. Many of the components inside this heater are for safety purposes. Therefore, only certified gas service technicians should service this heater.

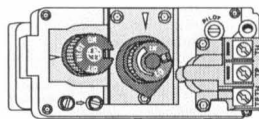
What Turns the Main Burners On and Off

This heater uses a millivolt system to control its operation (a millivolt is a very small amount of electricity). The thermopile and thermocouple generate electricity when heated by the pilot flame. This electricity is used to operate the gas valve. Without enough electricity, the gas valve will not turn on. That is why when starting the pilot the gas control knob has to be pressed in long enough for the thermocouple to heat up and generate enough electricity. The thermopile provides power for the ON/OFF switch, remote control, or thermostat (see the illustration below). Because the thermopile generates the electricity needed to turn the heater on and off, this heater can be operated when the power is out (although the blower will not run).

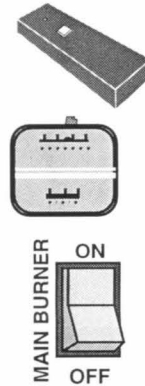
When heated, the thermopile generates electricity (a very small amount measured in "Millivolts").



This electricity is used to operate the main burners.



The main burners are switched on and off using the electricity generated by the thermopile. The ON/OFF switch, remote control, or thermostat control the circuit to the main burner.



What Prevents Gas Buildup

- + This appliance utilizes a high-technology gas valve in conjunction with a pilot flame to ensure no gas builds up inside the firebox.
- + The thermocouple (next to the pilot) senses when the pilot flame is lit. If the pilot flame goes out, this thermocouple no longer generates electricity, causing the gas valve to automatically shut off all gas to the heater, preventing the pilot from spilling gas into the firebox.

Pilot Flame

The pilot flame is a time-proven component that eliminates the possibility of gas buildup inside the firebox.

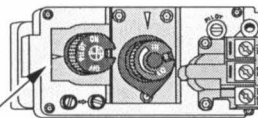


Thermocouple

The thermocouple generates a small amount of electricity. If the pilot flame goes out, the gas valve automatically shuts off all gas.

Gas Valve

This high-technology valve automatically shuts off all gas if it does not receive a signal from the thermocouple. If any component is damaged or sensing a malfunction, or if the wiring is damaged, it will shut off all gas.

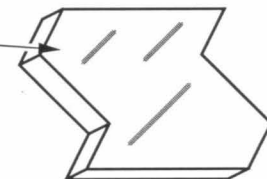


External Shut Off Valve

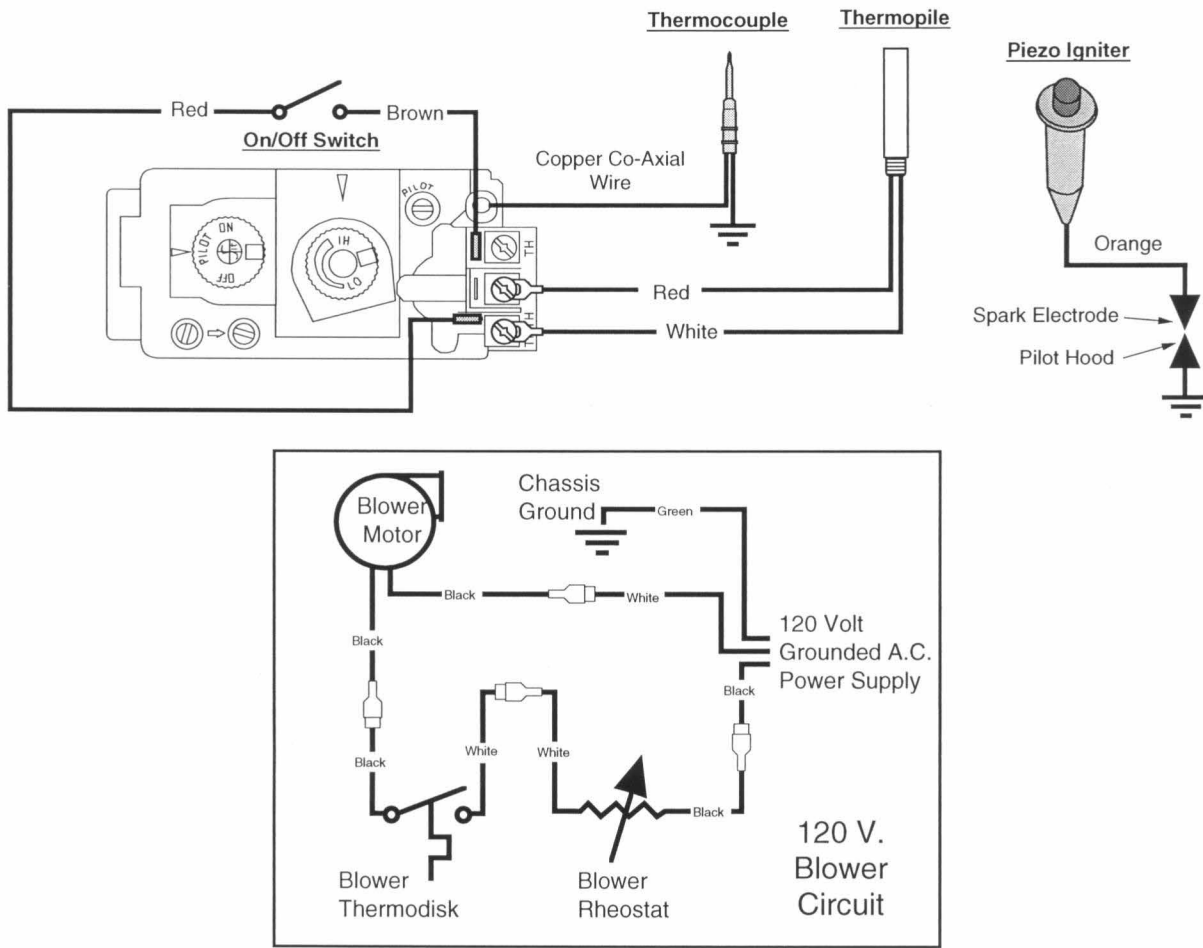
This valve is placed on the gas line to shut off gas to the appliance during maintenance procedures.

Ceramic Glass

The glass in your heater is the most durable glass available. It has been tested to be extremely resistant to breakage from temperature changes.




Wiring Diagram



Replacement Parts List

Safety Label

The safety (listing) label is on a plate chained to the gas control valve. A copy of the safety label is shown to the right.



UL Listed
OMNS-21, Ventless Inc.
Report No. 028-S-15b-5
Certified for USA

DMS Insert
 Vented Gas Fireplace Heater

Tested to: ANSI Z21.88b-1999 "Vented Gas Fireplace Heater" and UL 307b-1995 "Gas Burning Heating Appliances for Manufactured Homes". This appliance must be installed in accordance with local codes, if any; if none, follow the National Fuel Gas Code, ANSI Z223.1/NFPA 54, Installation in Manufactured or Mobile Homes must conform with Manufactured Home Construction and Safety Standard, Title 24 CFR, Part 3280.
This vented gas fireplace heater is equipped at the factory for use with natural gas. If conversion to propane (LP) is desired, the optional factory conversion kit must be used.
This appliance is only for use with the type of gas indicated on the rating plate and may be installed in an aftermarket, permanently located, manufactured (mobile) home where not prohibited by local codes. See owner's manual for details. This appliance is not convertible for use with other gases, unless a certified kit is used.
This vented gas fireplace heater is not for use with air filters.
Keep burner and control compartment clean. See installation and operating instructions accompanying appliance.
This appliance must be properly connected to a venting system in accordance with the manufacturer's installation instructions. Use only approved coaxial direct vent system to vent this appliance to the exterior. See owner's manual for approved brands of venting.
WARNING: Improper installation, adjustment, alteration, service or maintenance can cause injury or property damage. Refer to the owner's information manual provided with this appliance. For assistance or additional information consult a qualified installer, service agency or the gas supplier.

VENTED GAS FIREPLACE HEATER - NOT FOR USE WITH SOLID FUEL

CAUTION: Hot while in operation. Do not touch. Severe burns may result. Keep children, clothing, furniture, gasoline and other liquids having flammable vapors away. Do not operate this appliance with glass removed, cracked or broken. Replacement of the panel(s) should be done by a licensed or qualified service person.


Minimum Clearances to Combustibles

Faceplate to Sidewall	6"	Max 8" Deep Mantle Height Above Faceplate	10"
Front of Unit	36"	Side Facing to Faceplate	6"
		Top Facing to Faceplate	8"
		Hearth Extension Front	12"
		Hearth Extension Sides	0"

	LP	M.G.		LP	M.G.
Input Rate on "H" (BTU/Hr)	31,000	31,000	Minimum Inlet Pressure (inches W.C.)	11"	5.5"
Input Rate on "Lo" (BTU/Hr)	21,600	24,900	Maximum Inlet Pressure (inches W.C.)	13"	7"
Main Burner Orifice (DMS)0625	#37	Manifold Pressure on "H" (inches W.C.)	10"	3.5"

This room heater is equipped at the factory for use with natural gas. If conversion to propane (LP) fuel is desired the optional factory conversion kit must be used.
 Blower Electrical Rating: 115v, 1.5 Amps, 60 Hz FAN TYPE VENTED CIRCULATOR

Manufacture 2004 Jan. Apr. Jul. Oct.
 Date: 2005 Feb. May Aug. Nov.
 2006 Mar. Jun. Sep. Dec.



Travis Industries, Inc.
4800 Fairwood Pointe Blvd, SW, Mukwonago, WI 53225
 (IGN) 0284

To register your TRAVIS INDUSTRIES, INC. 7 Year Warranty, complete the enclosed Warranty card and mail it within **ten (10)** days of the appliance purchase date to: TRAVIS INDUSTRIES, INC., 4800 Harbour Pointe Blvd. SW, Mukilteo, WA 98275. TRAVIS INDUSTRIES, INC. warrants this gas appliance (appliance is defined as the equipment manufactured by Travis Industries, Inc.) to be defect-free in material and workmanship to the original purchaser from the date of purchase as follows:

Check with your dealer in advance for any costs to you when arranging a warranty call. Mileage or service charges are not covered by this warranty. This charge can vary from store to store.

Years 1 & 2 - COVERAGE: PARTS & LABOR

Burner Assembly:

Burner, Air Shutter Assembly, Main Burner Orifice

Firebox Assembly:

Adjustable Air Restrictor, Pressure Relief Mechanisms, Glass Frame and Latch

Electrical Assembly:

Wiring harness, snap discs, Blower, Blower Rheostat

Exclusions: Paint, Gasketing

Gas Control Assembly

Adjustable control valve, millivolt wiring and connectors (located within the appliance), thermopile, thermocouple, pilot hood, orifices, pilot gas line, piezo ignitor

Ceramic Glass

Glass (breakage from thermal shock)

Ceramic Logs

Log Set, Coals, Ember Strip (Steel Fiber)

Accessories

Cast Fireback, Panels, Faceplate (see "Conditions and Exclusions" # 9)

Convection Heat Exchanger

Re-Installation Allowance

One-Way Freight Allowance

Years 3 THROUGH 5 - COVERAGE: PARTS & LABOR

Firebox Assembly:

Adjustable Air Restrictor, Pressure Relief Mechanisms, Glass Frame and Latch

Exclusions: Paint, Gasketing, Burner Assembly, Electrical Assembly, Gas Control Assembly, Ceramic Glass, Ceramic Logs, Accessories (Fireback, Panels, Faceplate), Re-Installation Allowance

Convection Heat Exchanger

One-Way Freight Allowance

Years 6 & 7 - COVERAGE: PARTS ONLY

Firebox Assembly:

Adjustable Air Restrictor, Pressure Relief Mechanisms, Glass Frame and Latch

Exclusions: Paint, Gasketing, Burner Assembly, Electrical Assembly, Gas Control Assembly, Ceramic Glass, Ceramic Logs, Convection Heat Exchanger, Accessories (Fireback, Panels, Faceplate), Re-Installation Allowance, One-Way Freight Allowance, Labor

CONDITIONS & EXCLUSIONS

- This new gas appliance must be installed by a qualified gas appliance technician. It must be installed, operated, and maintained at all times in accordance with the instructions in the Owner's Manual. Any alteration, willful abuse, accident, neglect, or misuse of the product shall nullify this warranty.
- This warranty is nontransferable, and is made to the ORIGINAL purchaser, provided that the purchase was made through an authorized TRAVIS dealer.
- Discoloration and some minor expansion, contraction, or movement of certain parts and resulting noise, is normal and not a defect and, therefore, not covered under warranty. The installer must ensure the appliance is burning as per the rating tag at the time of installation. Over-firing (operation above the listed BTU rate) of this appliance can cause serious damage and will nullify this warranty.
- The warranty, as outlined within this document, does not apply to the chimney components or other Non-Travis accessories used in conjunction with the installation of this product. If in doubt as to the extent of this warranty, contact your authorized TRAVIS retailer before installation.
- Travis Industries will not be responsible for inadequate performance caused by environmental conditions such as nearby trees, buildings, roof tops, wind, hills or mountains or negative pressure or other influences from mechanical systems such as furnaces, fans, clothes dryers, etc.
- This Warranty is void if:
 - The unit has been operated in atmospheres contaminated by chlorine, fluorine or other damaging chemicals.
 - The unit is subject to submersion in water or prolonged periods of dampness or condensation.
 - Any damage to the unit, combustion chamber, heat exchanger or other components due to water, or weather damage which is the result of, but not limited to, improper chimney/venting installation.
- Exclusions to this 7 Year Warranty include: injury, loss of use, damage, failure to function due to accident, negligence, misuse, improper installation, alteration or adjustment of the manufacturer's settings of components, lack of proper and regular maintenance, damage incurred while the appliance is in transit, alteration, or act of God.
- This 7 Year warranty excludes damage caused by normal wear and tear, such as paint discoloration or chipping, worn or torn gasketing, corroded or cracked logs, embers, etc. Also excluded is damage to the unit caused by abuse, improper installation, modification of the unit, drilling of the orifices, or the use of fuel other than that for which the unit is configured. Units are shipped for natural gas and must be converted to propane using the included conversion kit. Confirm fuel configuration with your installer.
- Damage to gold or nickel surfaces caused by fingerprints, scratches, melted items, or other external sources left on the gold or nickel from the use of cleaners other than denatured alcohol is not covered in this warranty.
- TRAVIS INDUSTRIES, INC. is free of liability for any damages caused by the appliance, as well as inconvenience expenses and materials. Incidental or consequential damages are not covered by this warranty. In some states, the exclusion of incidental or consequential damage may not apply.
- This warranty does not cover any loss or damage incurred by the use or removal of any component or apparatus to or from the TRAVIS gas appliance without the express written permission of TRAVIS INDUSTRIES, INC. and bearing a TRAVIS INDUSTRIES, INC. label of approval.
- Any statement or representation of TRAVIS products and their performance contained in TRAVIS advertising, packaging literature, or printed material is not part of this 7 year warranty.
- This warranty is automatically voided if the appliance's serial number has been removed or altered in any way. If the appliance is used for commercial purposes, it is excluded from this warranty.
- No dealer, distributor, or similar person has the authority to represent or warrant TRAVIS products beyond the terms contained within this warranty. TRAVIS INDUSTRIES, INC. assumes no liability for such warranties or representations.
- Travis Industries will not cover the cost of the removal or re-installation of hearths, venting or other components.
- If for any reason any section of this warranty is declared invalid, the balance of the warranty remains in effect and all other clauses shall remain in effect.
- This 7 year warranty is the only warranty supplied by Travis Industries, Inc., The manufacturer of the appliance. All other warranties, whether express or implied, are hereby expressly disclaimed and purchaser's recourse is expressly limited to the warranties set forth herein.

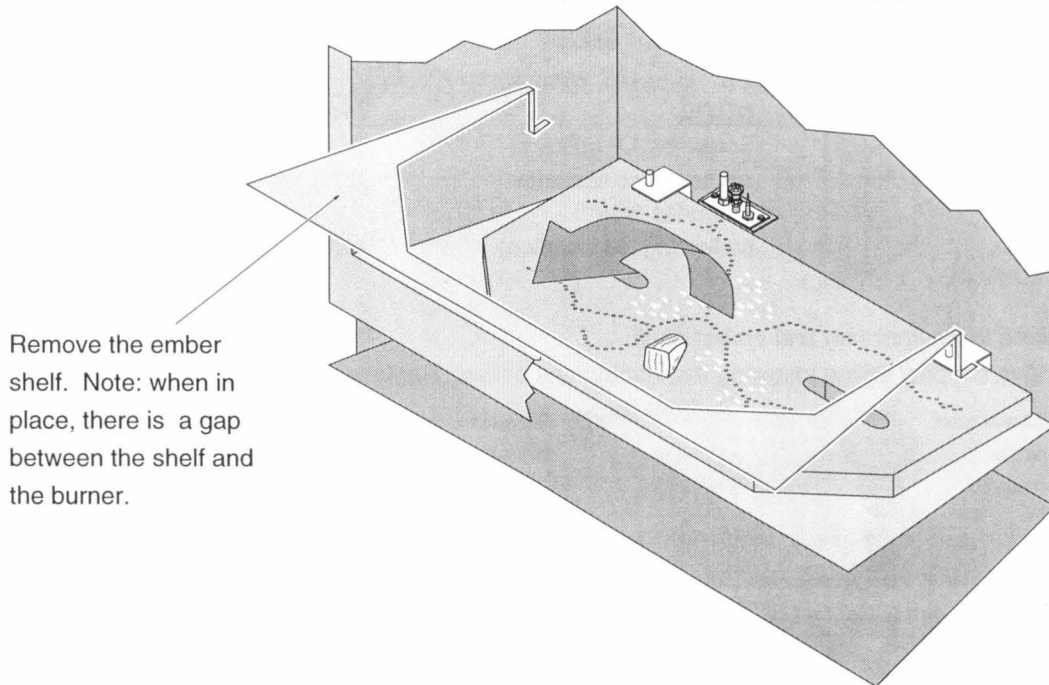
IF WARRANTY SERVICE IS NEEDED:

- If you discover a problem that you believe is covered by this warranty, you MUST REPORT it to your TRAVIS dealer WITHIN 30 DAYS, giving them proof of purchase, the purchase date, and the model name and serial number.
- Travis Industries has the option of either repairing or replacing the defective component.
- If your dealer is unable to repair your appliance's defect, he may process a warranty claim through TRAVIS INDUSTRIES, INC., including the name of the dealership where you purchased the appliance, a copy of your receipt showing the date of the appliance's purchase, and the serial number on your appliance. At that time, you may be asked to ship your appliance, freight charges prepaid, to TRAVIS INDUSTRIES, INC. TRAVIS INDUSTRIES, INC., at its option, will repair or replace, free of charge, your TRAVIS appliance if it is found to be defective in material or workmanship within the time frame stated within this 7 year warranty. TRAVIS INDUSTRIES, INC. will return your appliance, freight charges (years 1 to 5) prepaid by TRAVIS INDUSTRIES, INC., to your regional distributor, or dealership.
- Check with your dealer in advance for any costs to you when arranging a warranty call. Mileage or service charges are not covered by this warranty. This charge can vary from store to store.

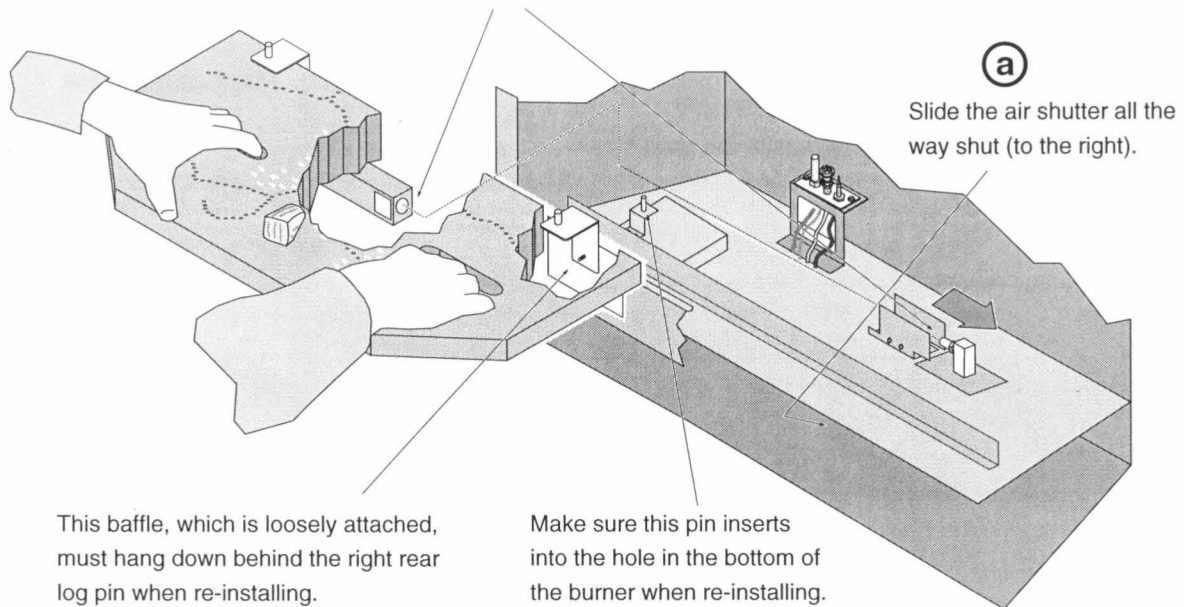
LP Conversion Instructions

Install the conversion kit prior to installing the gas line to ensure proper gas use.

- 1 Remove the glass (see page 17). Remove the logs and coals (if installed - page 18)
- 2 Reach into the firebox and remove the ember shelf (see the illustration to the right).

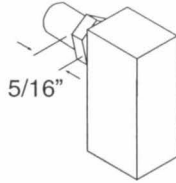


- 3 Remove the burner (see illustration below).
- (b)** Lift slightly on the burner and slide it to the left so the mixing tube slides off the orifice.



- 4 Follow the directions below to remove the natural gas orifice. Apply thread sealant to the LP orifice (.0625 dia. - it has ".0625" stamped on it) and tighten in place with a 1/2" open end wrench. Replace the spring. Slide the adjustable shutter back in place.

Use a 1/2" open end wrench to unscrew the burner orifice.



1/2" Wrench

NOTE:

Screw the LP orifice in so the orifice shoulder protrudes 5/16" (indicating full insertion).

The new LP orifice has ".0625" stamped on it.



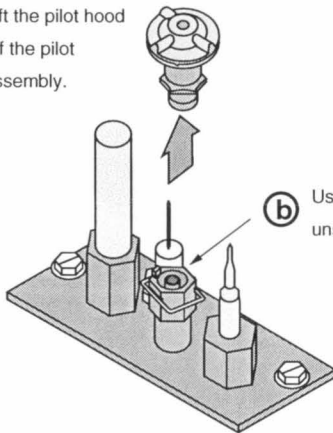
Apply thread sealant to the new orifice and install.



The old NG orifice has "37" stamped on it.

- 5 Replace the burner pan and ember shelf.
6 Remove the pilot orifice following the instructions below. Replace with the propane pilot orifice.

- a** Lift the pilot hood off the pilot assembly.

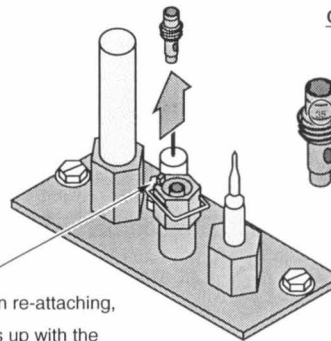


- b** Use a hex wrench to unscrew the orifice.



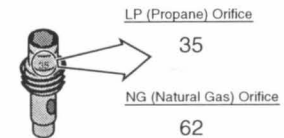
5/32" Hex

- c** Remove the orifice and replace with the LP orifice. Screw the orifice all the way in and replace the pilot hood.



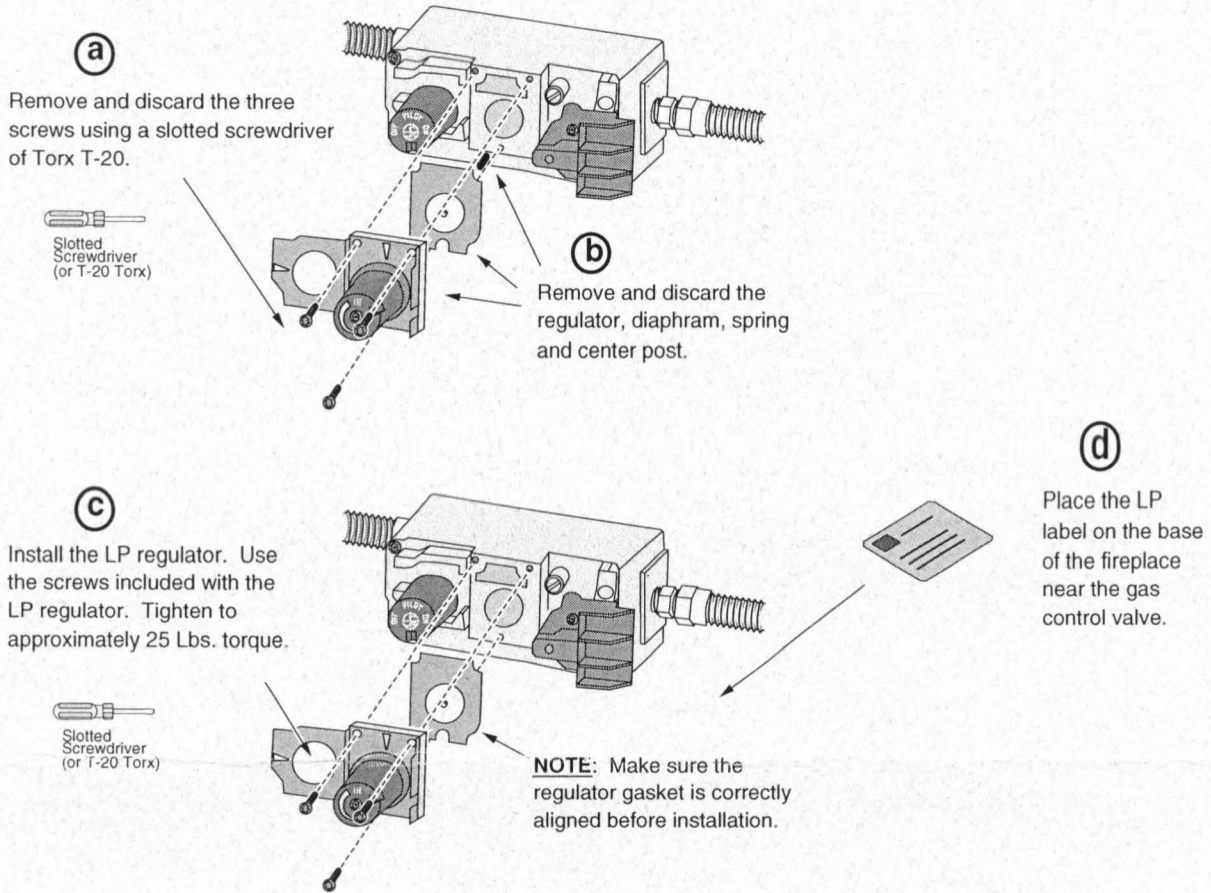
NOTE: when re-attaching, this pin lines up with the notch in the pilot hood.

Orifice Identification:



- 7 Replace the pilot assembly (follow the instructions in step 6 in reverse order). Make sure the pilot assembly gasket is placed correctly.
8 Install the logs and embers. Replace the glass.

- 9 Remove the regulator from the front of the gas control valve. Replace with the propane regulator, using the new gasket and screws included with the regulator. **NOTE: Leak test this area after the heater is installed, gas is connected, and the main burner is lit.**

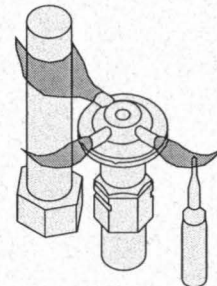
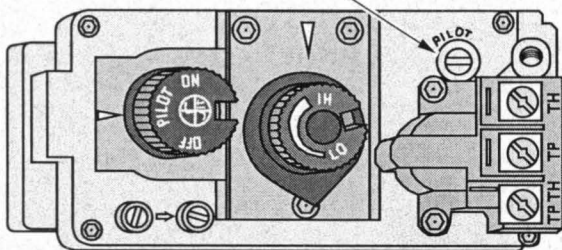


- 10 Make the gas line connection, start the heater and thoroughly leak-test all gas connections and the regulator. Check the pilot. Adjust if necessary.

To adjust the pilot flame, turn this screw (NOTE: if totally unscrewed gas will come out of this port). Clockwise lowers the flame while counter-clockwise raises it.



The pilot flame must contact the thermocouple and thermopile (see the illustration below). Adjust the pilot up or down as necessary.



Approved Vent Configurations.....	12	Installation Options	6
Adjusting the Blower Speed.....	24	Items Required for Installation.....	7
Adjusting the Flame Height	23	Leaking Gas	See Inst. on Cover
Air Shutter Adjustment.....	20	Listing Information	29
Altitude Considerations.....	11	Location of Controls.....	21
Blower Control.....	24	Log Set Installation and Removal	18
BTU Input.....	6	Maintenance	25
BTU Output.....	6	Mantel Requirements.....	9
Cap (see vent installation).....	11	Maximum Vent Length.....	11
Chimney Cap (see vent installation).....	11	Noise (see Normal Operating Sounds)	24
Chimney Installation (see vent installation)	11	Normal Operating Sounds.....	24
Clearances.....	8	Packing List.....	7
Condensation on Glass.....	23	Pilot Flame Inspection.....	19
Dimensions.....	6	Piping Installation (see Gas Line Install).....	10
Dura-Vent (part numbers).....	11	Safety Label.....	29
Electrical Connection.....	16	Safety Precautions	4
Face Dimensions (see chart under "Clearances")	9	Starting The Pilot.....	22
Face Installation (see instructions included w/ face)		Starting the Heater for the First Time	23
Facing Requirements (see "Insert Clearances") ..	9	Thermostat Operation.....	23
Finalizing the Installation.....	17	Turning the Heater On and Off.....	23
Floor Protection (Hearth).....	9	Vent Length.....	11
Fuel.....	6	Vent Part Numbers	11
Gas Control Valve (Location).....	21	Vent Requirements	11
Gas Inlet Pressure.....	10	Warnings.....	4
Gas Line Connection	10	Warranty.....	30
Gas Line Install.....	10	Water on Glass (see Condensation)	23
Gas Smell.....	See Inst. on Cover	What Prevents Gas Buildup	27
Glass Installation and Removal	17	What Turns the Main Burners On and Off.....	27
Glass, Glass Gasket.....	17	Wiring Diagram.....	28
Hearth Requirements.....	8	Yearly Service Procedure.....	25
Heating Specifications	6		
How this Heater Works	27		