


SERVICE INFORMATION DO NOT REMOVE

165D4756G266

IMPORTANT SAFETY NOTICE
THIS INFORMATION IS INTENDED FOR USE BY INDIVIDUALS POSSESSING ADEQUATE BACKGROUNDS OF ELECTRICAL, ELECTRONIC AND MECHANICAL EXPERIENCE. ANY ATTEMPT TO REPAIR A MAJOR APPLIANCE MAY RESULT IN PERSONAL INJURY AND PROPERTY DAMAGE. THE MANUFACTURER OR SELLER CANNOT BE RESPONSIBLE FOR THE INTERPRETATION OF THIS INFORMATION, NOR WILL WE ASSUME ANY LIABILITY IN CONNECTION WITH IT.

DISCONNECT POWER BEFORE SERVICING.
IMPORTANT - RECONNECT
IF GROUNDING WIRES, SCREWS
USED TO COMPLETE A PATH
THEY MUST BE RE-
FASTENED.

DEVICES
FOR WASHERS
FOR SERVICE,
AND PROPERLY



When servicing the following parts, the appliance is energized: **heating element, water valve, capacitor and drain pump and active vent motor (if present).**

IMPORTANT NOTICE: DO NOT TIP ON SIDE WHILE SERVICING. Water can enter the pressure switch line. If this happens, remove the line from the switch and blow the water back into the sump.

CAUTION: INTERLOCK BREAKS NEUTRAL SIDE ONLY. MANY INTERNAL COMPONENTS ARE HOT WHILE DOOR IS OPEN. SHARP EDGES, WEAR GLOVES WHILE SERVICING.

WASHABILITY COMPLAINTS

- Hot Water** – Ample supply of water at 120°F minimum temperature is necessary. Do not use dishwasher soon after using clothes washer or filling bathtub.
- Loading** – Consult Owner's Manual on loading procedures.
- Amount of Water** – If water level is low, check for clogged screen in water valve, and check float switch. Adjust fill level according to Owner's Manual.
- Proper Amount of Detergent** – All wash cycles except RINSE ONLY require detergent in main cup. Hard water may require extra detergent and soft water may require less detergent.
- Rinse Agent** – Use rinse agent if spotting is a problem.
- Spray Arm** – Check to be sure spray arm spins freely and jets are not clogged.

FILTER AND DRAIN SYSTEM

Does Not Pump Out

1. Check for blocked or partially blocked drain line and air gap.
 2. Check routing of hose system. It must be free of kinks.
- NOTE:** To access under sump components, remove the toe-kick by removing the two fixing screws holding the plate in position then slide it out from under the dishwasher.

DO NOT TIP ON SIDE WHILE SERVICING.

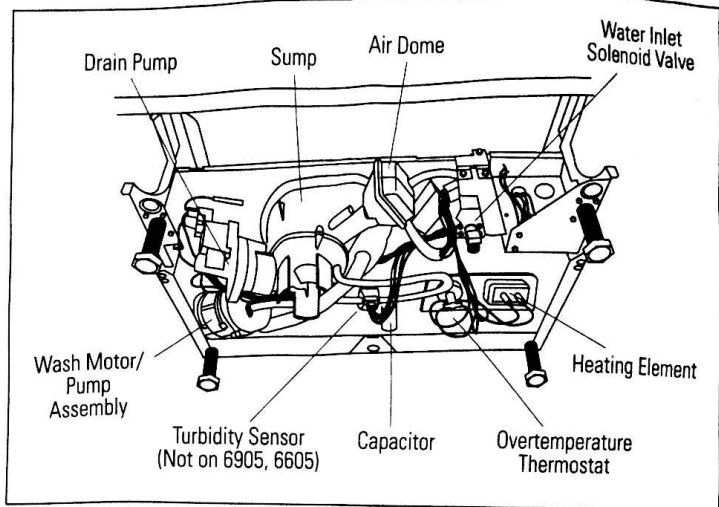
MOTOR PUMP MECHANISM

Motor Stalled – Hums

Disconnect power. Try to turn motor shaft clockwise to determine if seal is stuck and can be broken loose.

To Remove Motor-Pump Mechanism:

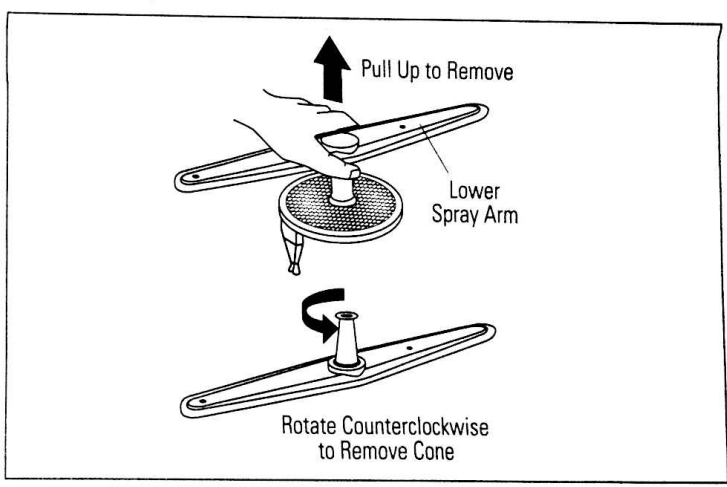
1. Disconnect the four pin wash motor/pump receptacle from wiring harness. Disconnect the ground terminal (locking terminal).
2. Remove the three pump outlet hoses from the pump cover, grasping each hose in turn and disconnecting from pump cover spigots.
3. Compress the double coil hose clamp and slide from spigot towards the sump.
4. On reassembly, ensure that the hose clamps are positioned, so that the burred end will not contact the turbidity hose, as it could wear through.



TO SERVICE WASH ARM ASSEMBLIES:

Check Wash Arm

1. Check holes in spray arm for bits of china, seeds and other foreign matter.
2. Check spray arms for rotation.



TO DISASSEMBLE UPPER VENTURI HOUSING:

1. Insert screwdriver between the Upper Venturi Housing and the Upper basket cross bar support. Gently pry the retaining clamp and apply pressure to the top of the Upper Venturi.
 2. Pry the Upper Venturi Assembly from cross bar and remove Upper Venturi from underside of the Upper Basket.
- NOTE:** Wash arm tower and hub are serviced as a single unit.

CLEANING AND REPLACING FILTERS

1. Twist the two vertical handles on drain cup filter in a counterclockwise direction, rotate and remove.
2. Lift the left side of the perforated stainless steel Wash system with the micromesh Barrel Filter attached to the underside surface.
3. To **remove the Bypass filter**, first remove the Lower Spray Arm, grasp it around the outer edge and pull upward. Then, pull bypass filter out.

FIELD TEST CYCLE

Models 6400/6500, 6700/6900, 6905, 7000

To access field test cycle, press the following keypad sequence:

KEYPAD NO.		KEYPAD NAME
6400/6500/6700/6900/6905	7000 Series	
5	6	Heated Dry or Smart Dry
2	2	Normal or Pots Normal
4	4	Sani Wash or Rinse Only
5	6	Heated Dry or Smart Dry
1	1	Pots & Pans or Heavy Duty

STEP	ACTIONS	TIME/ sec.	COMMENTS
1	IDENTIFY MODEL TYPE	5	- 6400/6500 (2) LEDs ON 2 Beeps - 6700/6900, 7000 (3) LEDs ON 3 Beeps - 6905 (4) LEDs ON 4 Beeps
2	LED TEST	Max 15	Each Program/Option LED ON for 0.5 second from top to bottom, left to right. All LEDs ON until Start/Reset pressed
3	TURBIDITY TEST DOOR THERMISTOR TEST	3	- Sensing + Pots & Pans/Heavy Duty LEDs ON
4	FILL	10	Normal I LED ON
5	DRAIN	15	China LED ON
6	FILL	30	Rinse Only or Sani Wash LED ON
7	FILL + WASH	30	Rinse Only or Sani Wash LED ON
8	WASH + DISPENSE	60	Smart Dry or Heated Dry LED ON
9	WASH + HEAT to 140°F	20	Water Temp Normal LED ON
10	WASH	30	Water Temp High
11	FAN + DRAIN	20	Delay Start 2 Hour LED ON
12	FAN	40	Delay Start 4 Hour LED ON

DOOR COMPONENT ACCESS

CAUTION: INTERLOCK BREAKS NEUTRAL SIDE ONLY. MANY INTERNAL COMPONENTS ARE HOT WHILE DOOR IS OPEN. SHARP EDGES. WEAR GLOVES WHILE SERVICING.

To Remove Door Latch Keeper (6400, 6500, 6700, 6900, 6905) loosen and remove the Phillips head screw. Slide door latch keeper through the rectangular cut in the front cabinet trim and lift the latch clear.

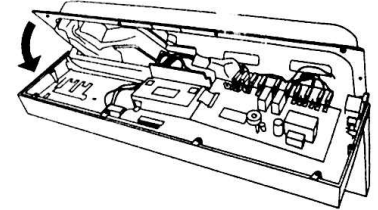
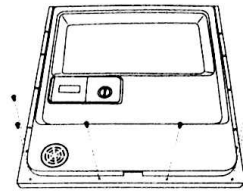
CAUTION: The inner door is attached to the door spring mechanism and will be unstable after the outer door is removed.

REMOVING THE DOOR PANEL (6400, 6500)

1. Open door to the horizontal position and remove the four Phillips screws fitted to each side of door. Then remove the six stainless steel screws (ensure Door Panel is supported). It is suggested that one central screw be left loose but in place for support.
2. Support the side with your knee under the Door Panel while holding Door Panel and door together, remove remaining screw.
3. Lift Door Panel clear of dishwasher.
4. Reassemble in reverse order. Operate dishwasher before leaving.

CONTROL PANEL ASSEMBLY

1. Remove the six Phillips head screws located at the top of the door liner. **NOTE:** The countersunk Phillips head 3/4" long screws should be used for the Control Panel retention.
2. Lift the complete Control Panel clear from door.
3. Reassemble in reverse order. Operate dishwasher before leaving.



FAULT CODES DETECTION

Dishwasher saves in non-volatile memory, faults detected during wash cycles. To access the saved fault codes press keypad in sequence: (To clear any saved fault codes in memory, press Start/Cancel for three seconds)

KEYPAD NO.		KEYPAD NAME
6400/6500/6700/6900/6905	7000 Series	
5 -	6	Heated Dry or Smart Dry
2 -	2	Normal
4 -	4	Rinse Only or Sani Wash
5 -	6	Heated Dry or Smart Dry
6 -	5	Water Temp

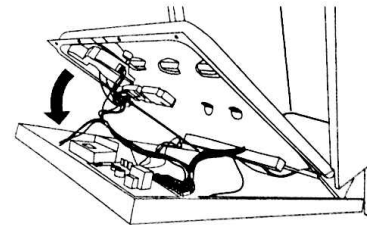
FAULT DETECTED	CONDITION	FAULT CODE LED
Not Heating	< 9°F in 15 minutes	Normal
Over Temperature	Greater than 180°F	Pots & Pans / Heavy Duty
Not filling	Not filled after selected fill time	China Crystal / Light Wash
Not draining	Not drained in 5 minutes	Rinse Only / Sani Wash
Overfill	Leak detection / Switch closed or 2" level pressure switch	Heated Dry / Smart Dry

NOTE: Turbidity sensor faults will be indicated by: Water Temp High; Sani; the 2 or 4 hour delay light.

To exit fault code detection mode, while preserving the stored fault codes, either reenter the sequence used to get into this mode or disconnect power from the unit. To clear the stored fault codes and exit fault code detection, press and hold Start/Cancel keypad for three seconds.

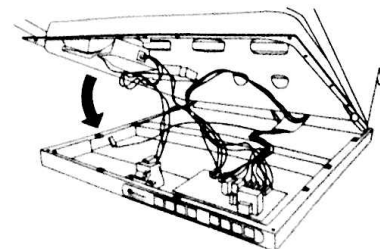
REMOVING THE DOOR PANEL (6700,6900,6905)

1. Remove the four Phillips head screws located across the top of stainless steel door liner.
2. Remove the six Phillips head screws fitted to each side of door. While removing the eight screws, ensure the door panel is supported. It is suggested that one central screw be left loose but in place for support while removing the rest of the screws.
3. Lift the door panel clear of dishwasher.
4. Reassemble in reverse order. Operate dishwasher before leaving.

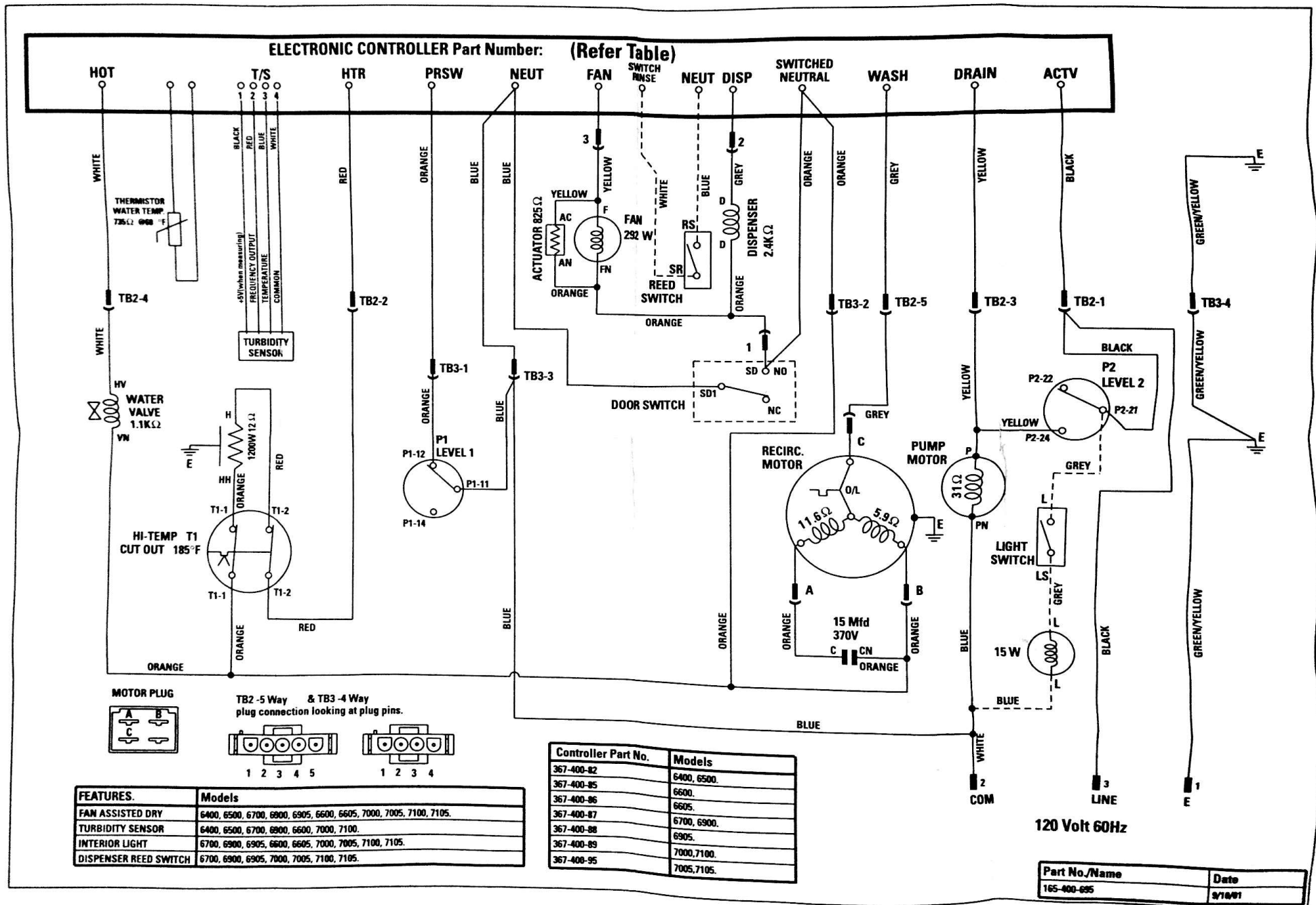


REMOVING THE DOOR PANEL (7000, 7100)

1. Open the door to the horizontal position.
2. Remove the three Phillips head (2-1/2" long) screws attaching the decorative panel to the door panel.
3. Close door and lift the decorative panel upwards to disengage the toggles. Pull the decorative panel forward and lift clear of the dishwasher.
4. Reopen door to horizontal position, remove the remaining twelve screws from sides and top of stainless steel door liner.
5. Disengage the connector on the ribbon cable.
6. Reassemble in reverse order. Operate dishwasher before leaving.



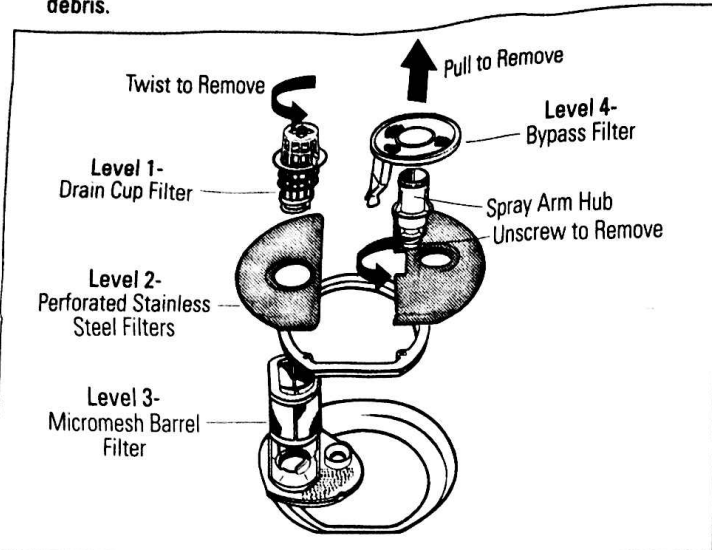
WARNING:
POWER **MUST** BE DISCONNECTED BEFORE SERVICING THE APPLIANCE.



FEATURES.	Models
FAN ASSISTED DRY	6400, 6500, 6700, 6900, 6905, 6600, 6605, 7000, 7005, 7100, 7105.
TURBIDITY SENSOR	6400, 6500, 6700, 6900, 6600, 7000, 7100.
INTERIOR LIGHT	6700, 6900, 6905, 6600, 6605, 7000, 7005, 7100, 7105.
DISPENSER REED SWITCH	6700, 6900, 6905, 7000, 7005, 7100, 7105.

Controller Part No.	Models
367-400-82	6400, 6500.
367-400-85	6600.
367-400-86	6605.
367-400-87	6700, 6900.
367-400-88	6905.
367-400-89	7000, 7100.
367-400-95	7005, 7105.

- Remove the right side of the perforated stainless steel filter by unscrewing spray arm hub.
- To clean these filters, rinse under hot running water until cleared of all debris.



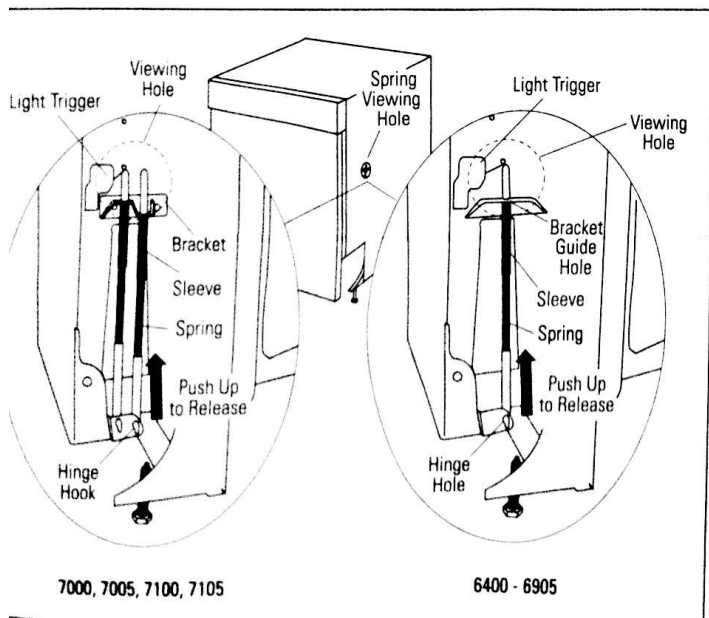
DOOR SPRINGS AND SUPPORT RODS

NOTE: The compression springs fitted to various models have different spring rates to cater to the door weight of each model. Springs can be identified by a color paint mark as to the ones to be replaced in that model. There may also be a mixture of colors of springs on some models. All models contain 2 springs except 7000 series which has 4 springs.

Models	Spring Color ID
6400/6500/6700/6900/6905 and 1/4" door kit	White
7000 & 7100 (Back) 7005 & 7105	Blue
7000 Timber Door (Front) 7005	Green
7100 (Front) 7105	Yellow

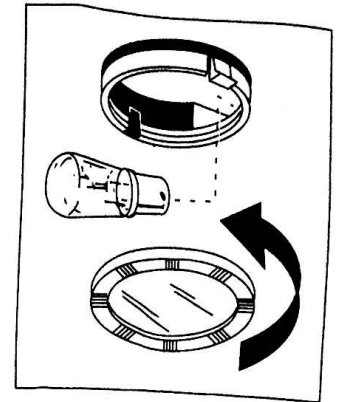
Remove Spring and Support Rod

Close door and lift the bottom of the support rod upward and away from the slot in the door hinge. Pull the rod downward from the guide in the side plate and the spring, then remove from the rod. Reassemble in reverse order.



REPLACING THE LIGHT BULB AND COVER

- Disconnect dishwasher from power supply.
- Unscrew the plastic lens (counter-clockwise).
- Remove bulb and replace with maximum 15 watt bayonet bulb (WD21X10055), no larger than 1" diameter and 2" long.
- Ensure the seal is correctly fitted to the plastic lens and screw firmly into place.



CHILD LOCKOUT MODE

This mode is designed to reduce the possibility of unauthorized use of dishwasher by not allowing a valid keypad press until it has been held down for two seconds or longer.

To Enable: Simultaneously press and hold for two seconds or longer the POTS & PANS or POTS HEAVY and START/CANCEL keypads. After two seconds, the buzzer will pulse On/Off three times at six cycles per second.

To Disable: Follow same procedure. After two seconds buzzer will sound for 0.5 seconds.

NOTE: In Child Lockout Mode, buzzer silencing will be overridden.

RELAY/TRIAC TEST

Models 6400/6500, 6700/6900, 6905, 7000

With this test, individual outputs can be energized / deenergized by pressing the corresponding control keypad.

To access Relay / Triac Mode, press the following keypad sequence:

KEYPAD NO.		KEYPAD NAME
6400/6500/6700/6900/6905	7000 Series	
5	6	Heated Dry or Smart Dry
2	2	Normal
4	4	Rinse Only or Sani Wash
5	6	Heated Dry or Smart Dry
8	8	Start / Cancel

CONTROL KEYPAD	OUTPUT CONTROLLED
1. Pots & Pans or Heavy Duty	Turbidity Sensor
2. Normal Wash	Detergent / Rinse Aid Agent
3. China Crystal or Light Wash	Drain Pump
4. Rinse Only or Sani Wash	Heating Element + Drying LED
5. Heated Dry or Smart Dry	Heating Element (Drying Pulse time as per Smart or Heated Dry)
6. Water Temperature	Wash Pump
7. Delay Start	Fan Motor
8. Start / Cancel	FILL Valve (Limited to 3 minutes max.)

The Relay/Triac output test can be cancelled by repeating keypad sequence shown above or by disconnecting the power from dishwasher.