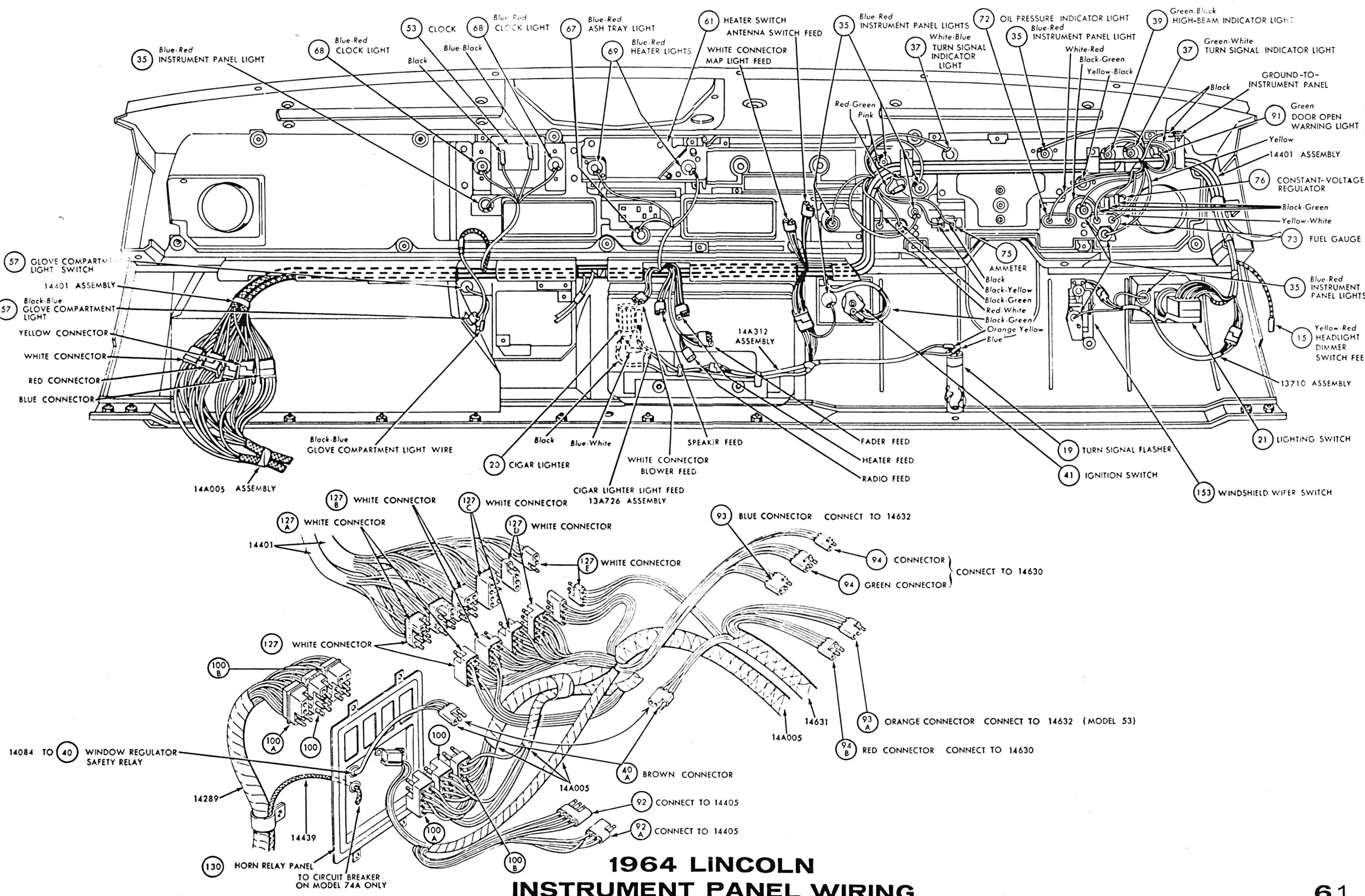
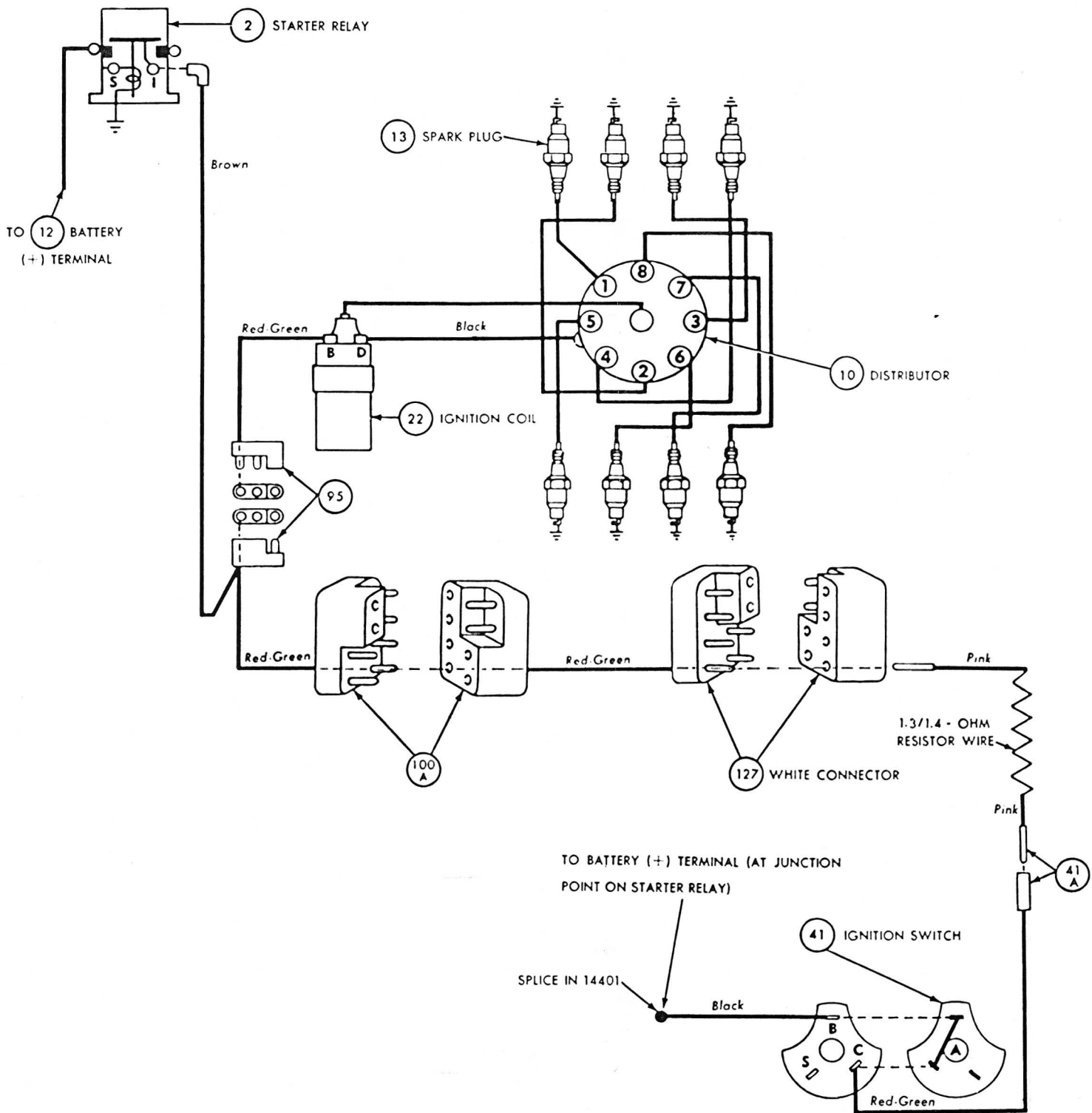


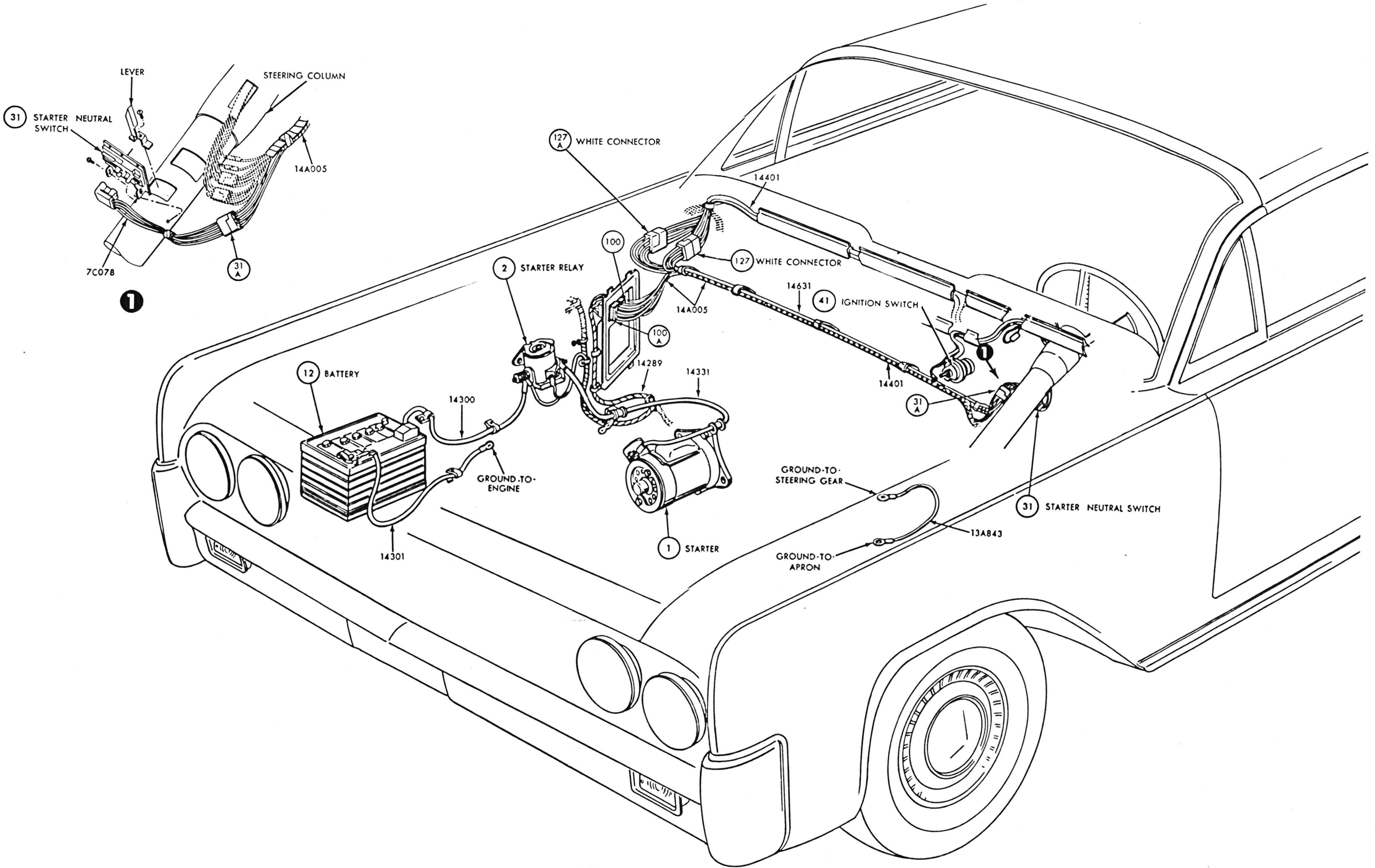
1964 LINCOLN MASTER WIRING LOCATOR



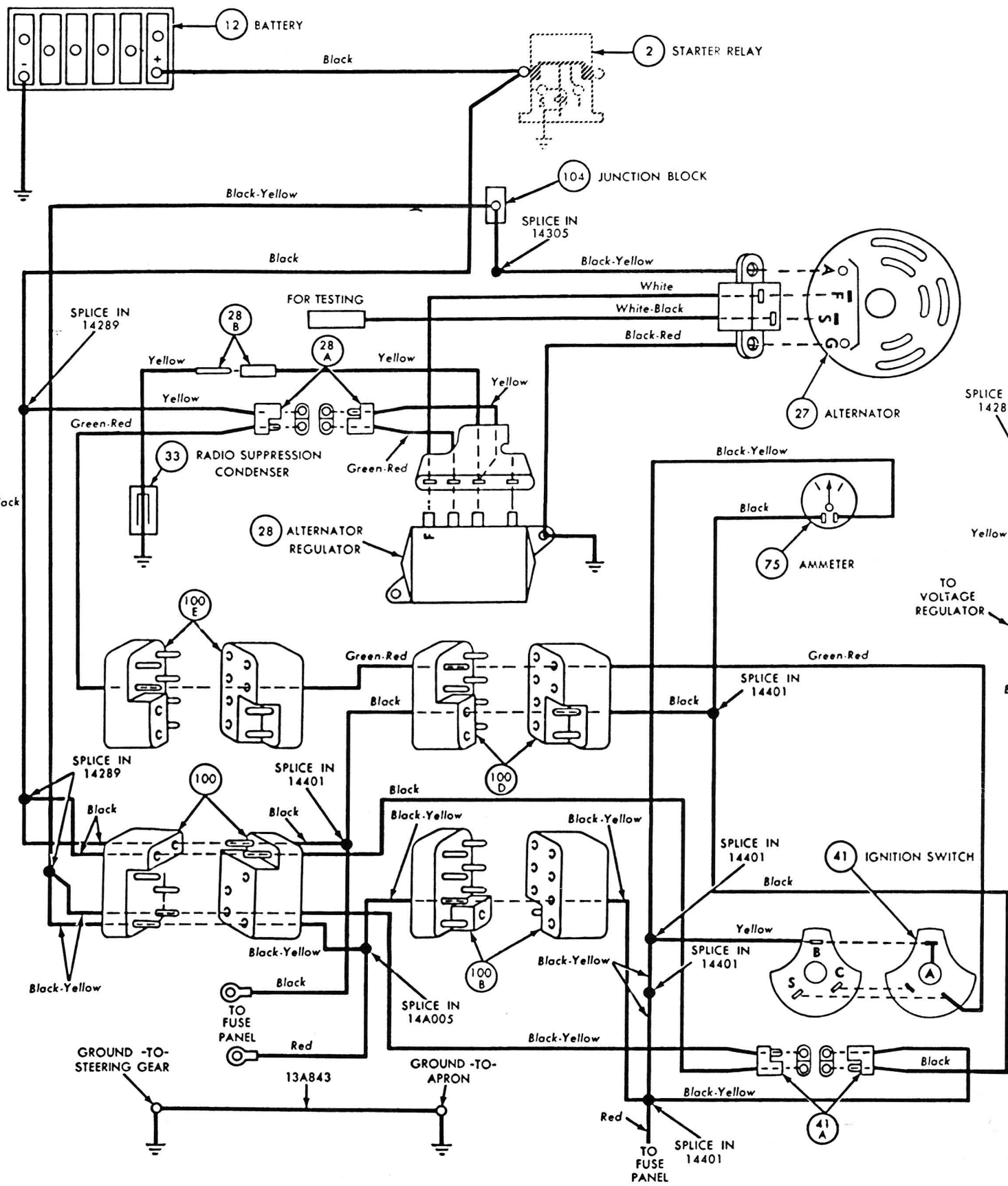
1964 LINCOLN INSTRUMENT PANEL WIRING



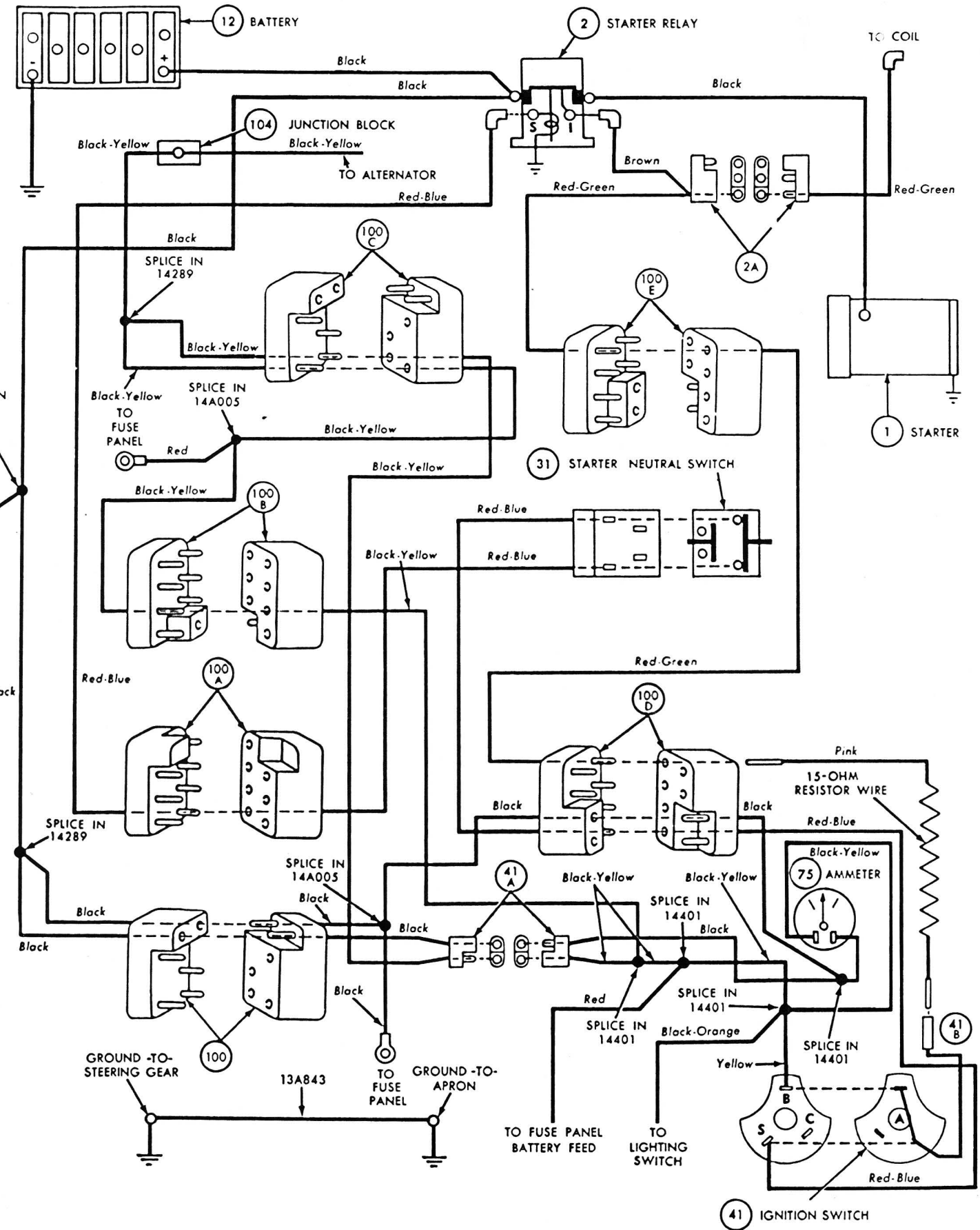
**1964 LINCOLN
IGNITION SCHEMATIC**



**1964 LINCOLN
STARTER WIRING**

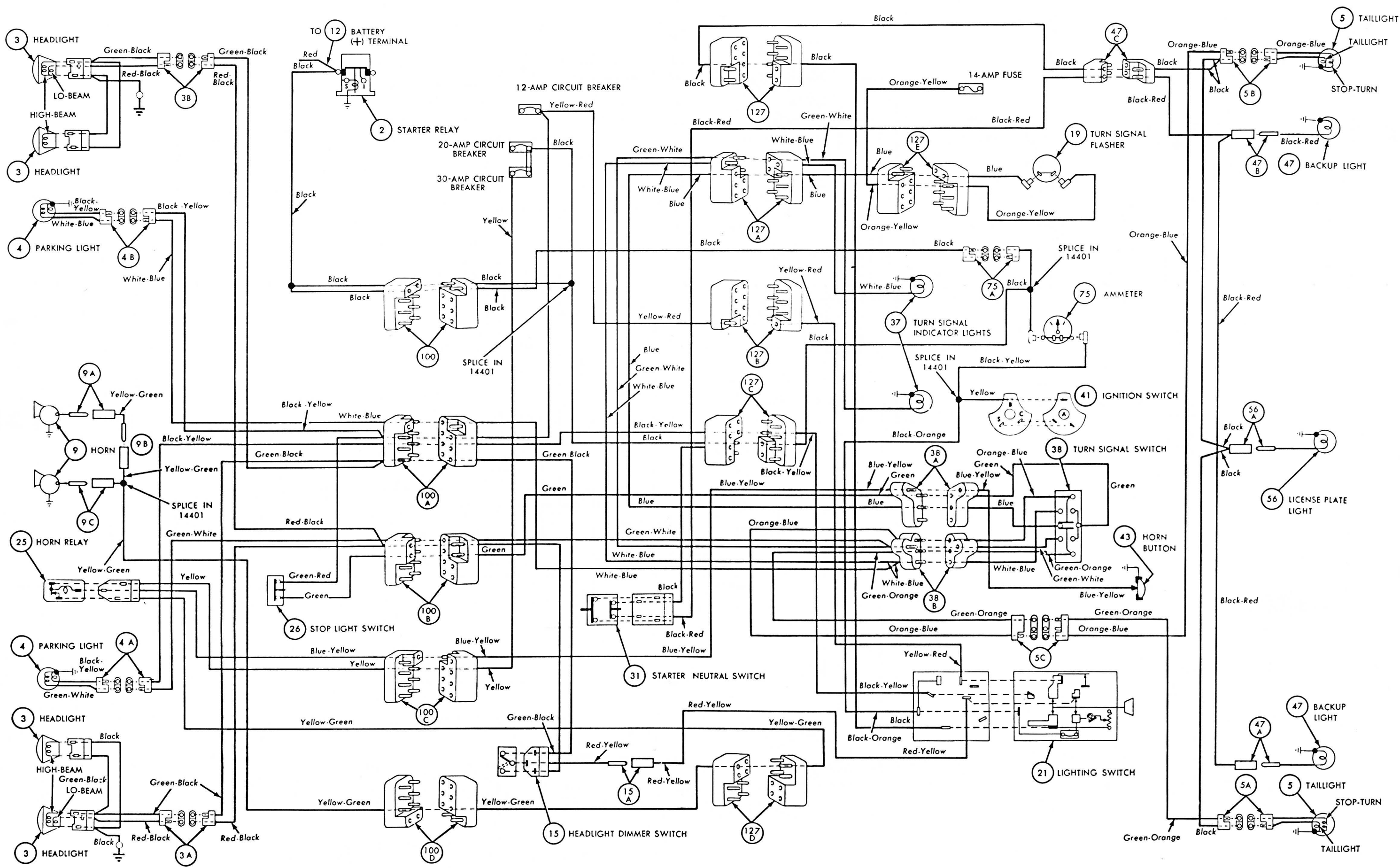


ALTERNATOR SCHEMATIC

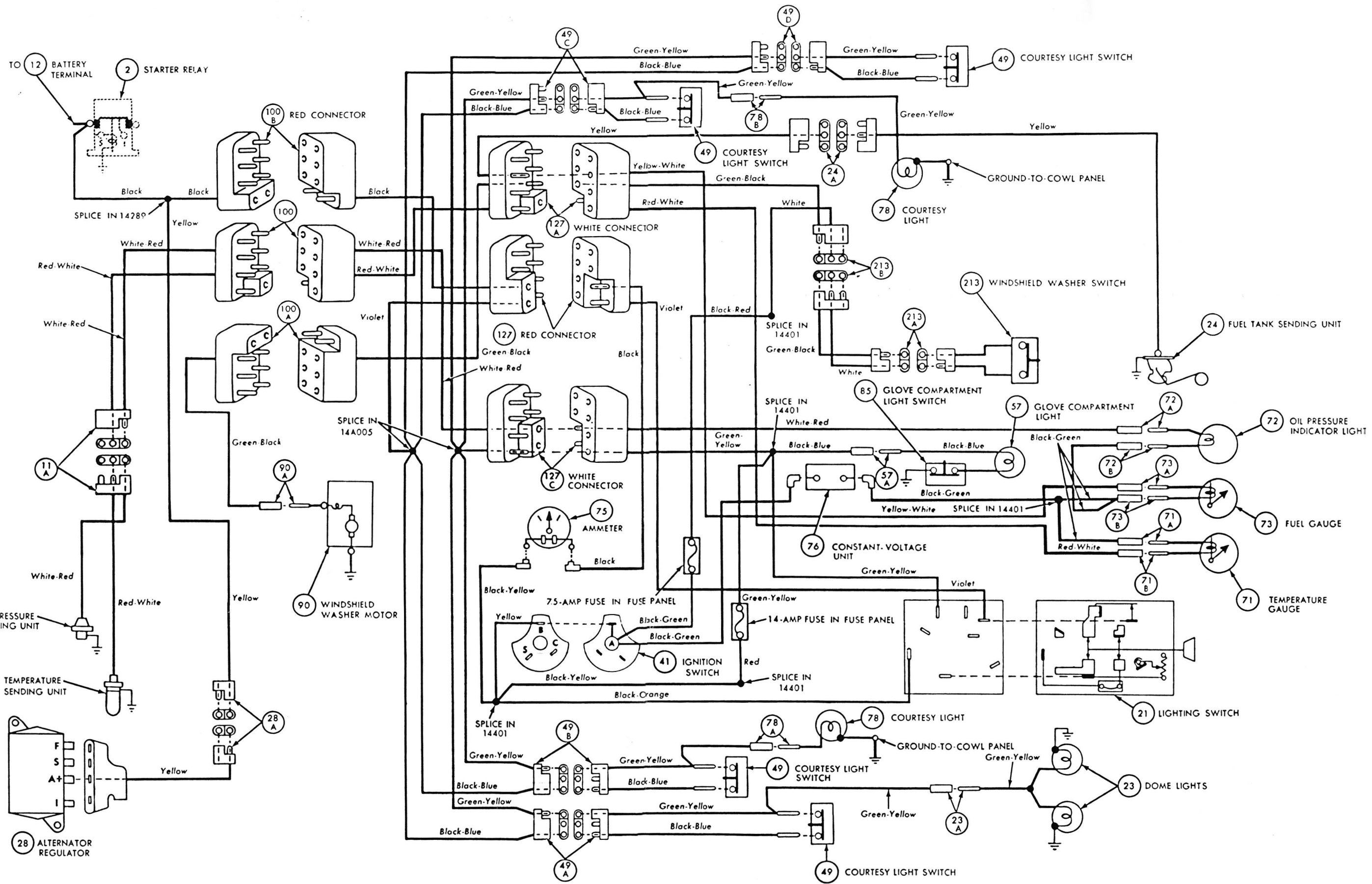


STARTER SCHEMATIC

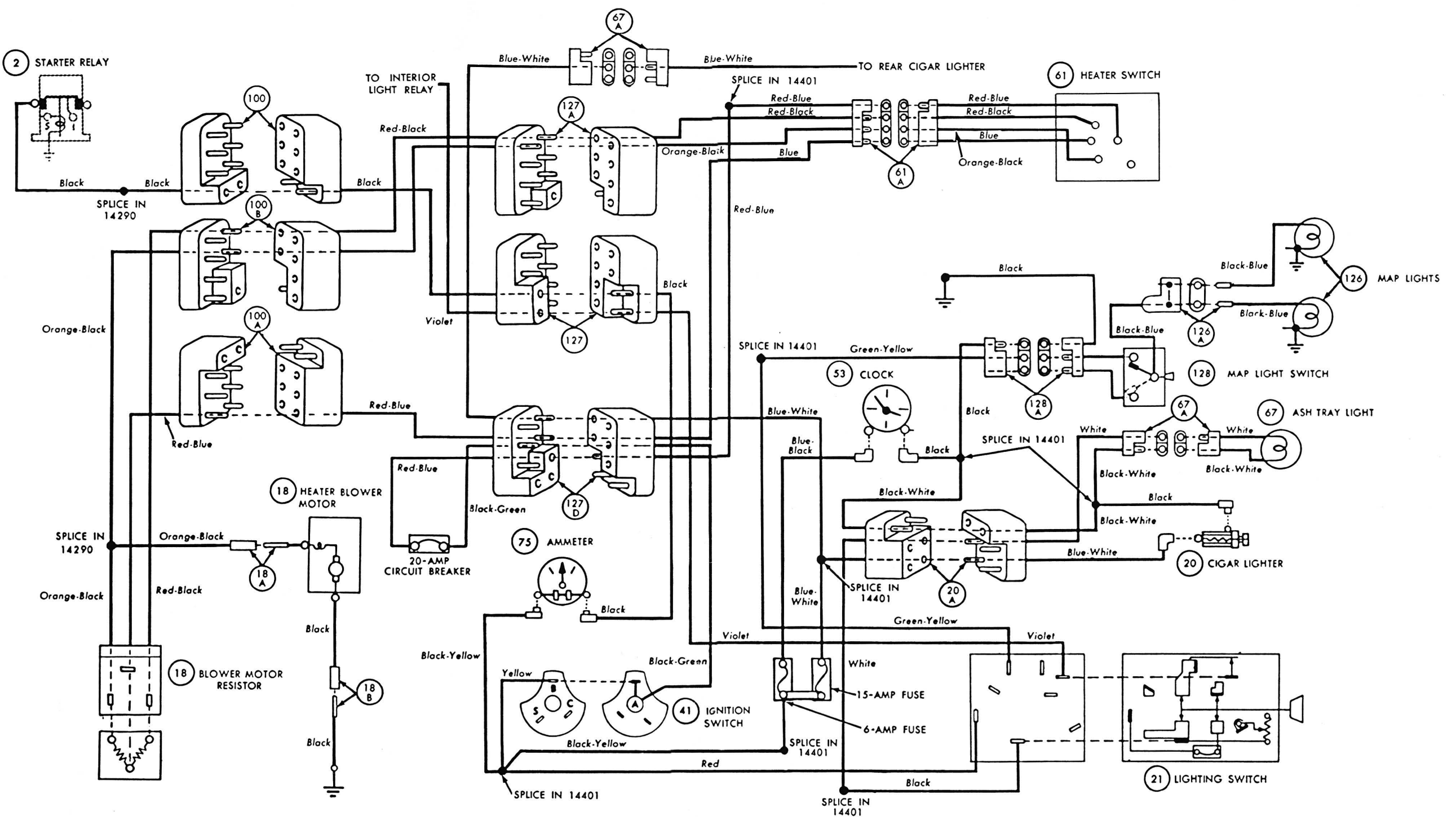
1964 LINCOLN



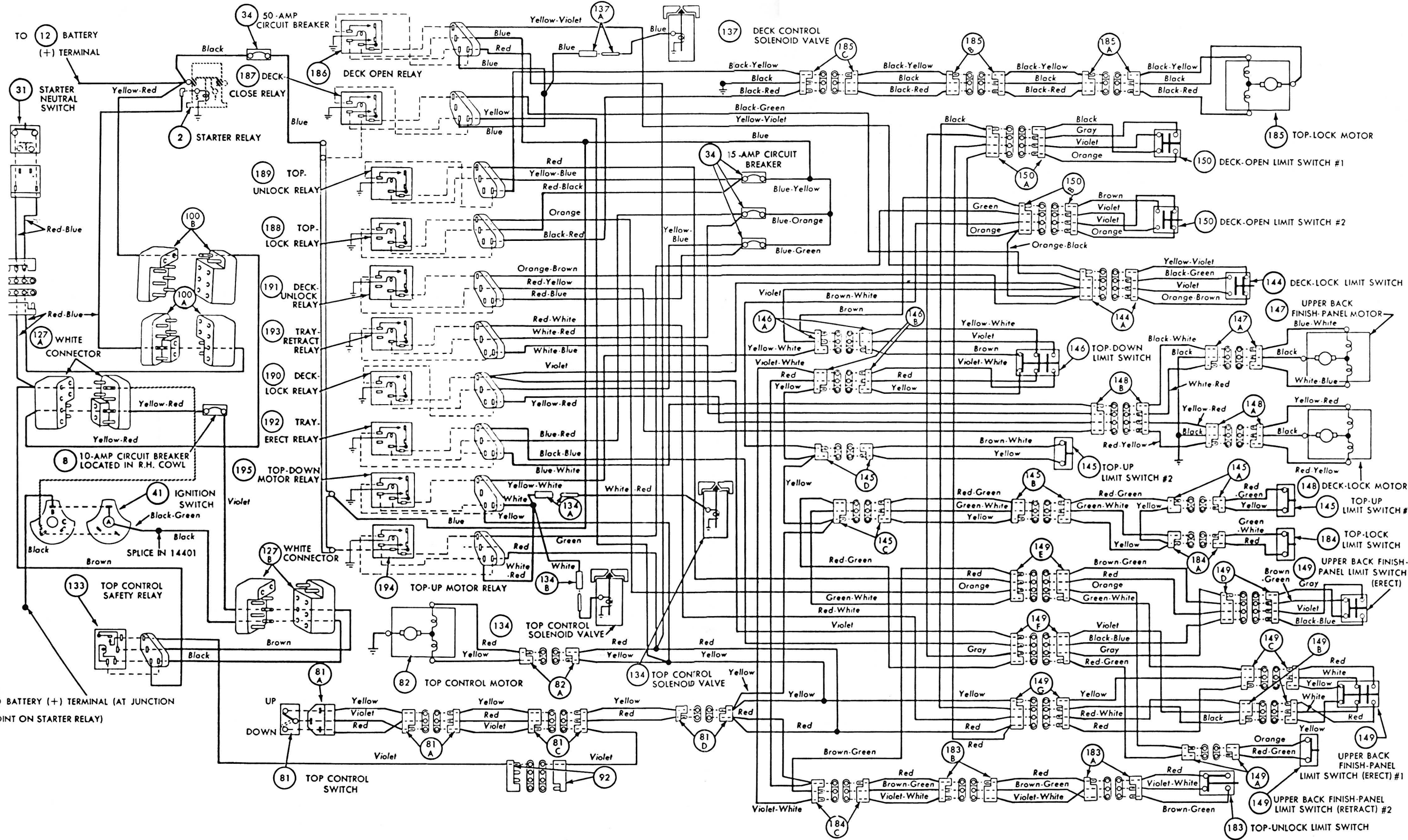
**1964 LINCOLN
EXTERIOR LIGHTING, TURN SIGNALS AND HORN SCHEMATIC**



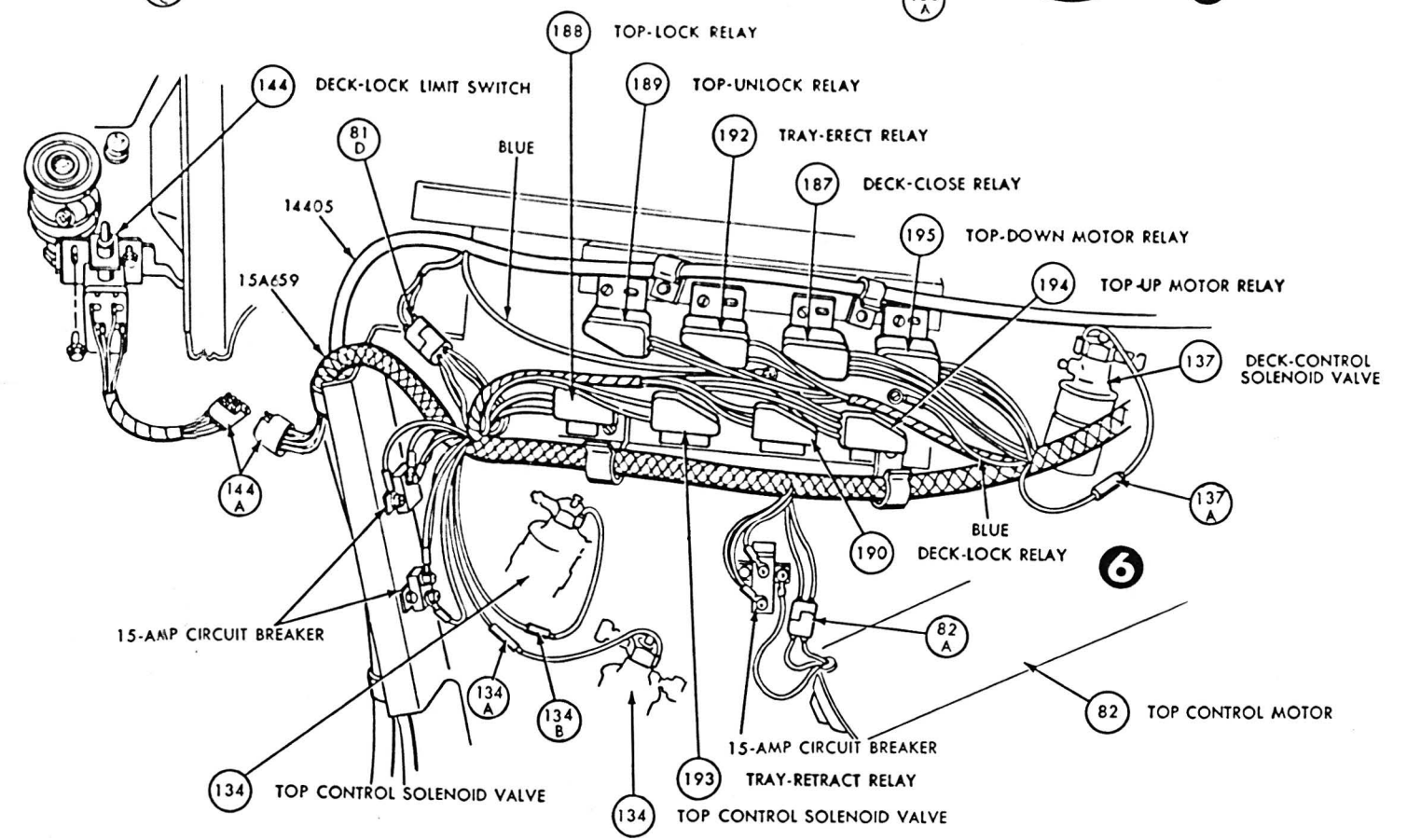
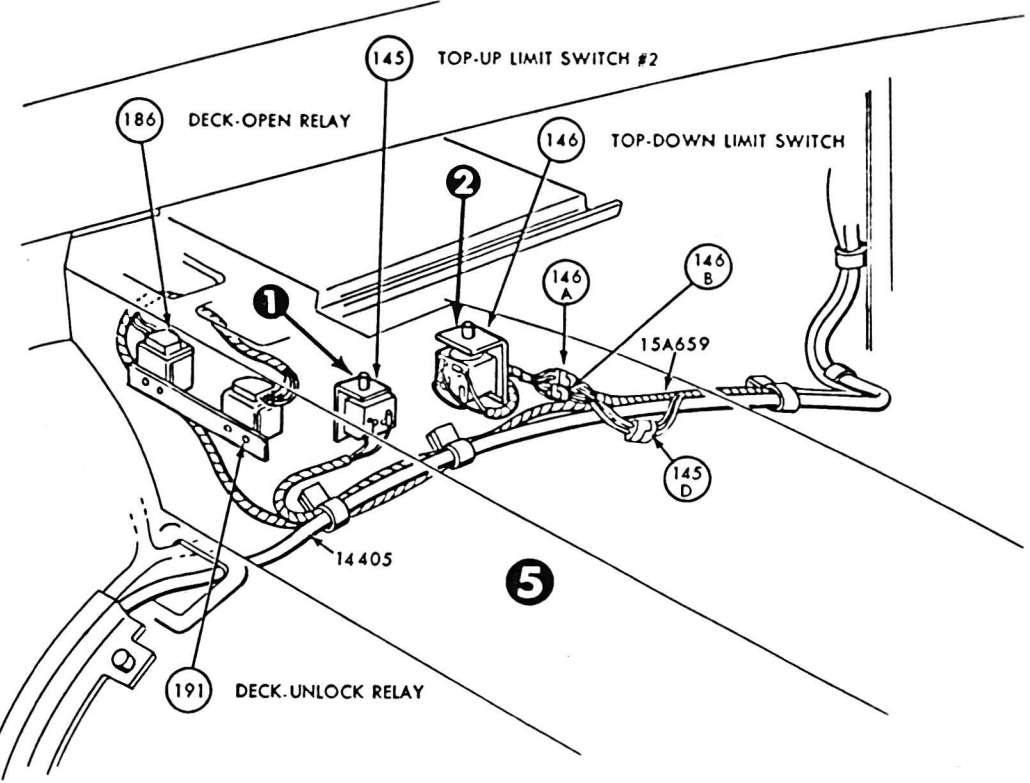
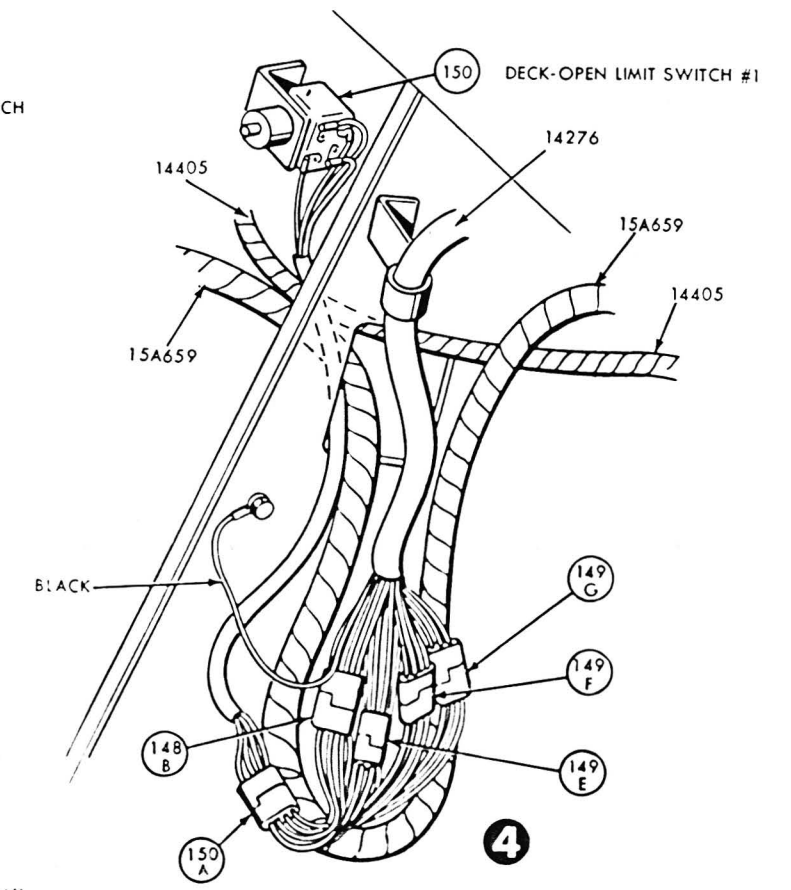
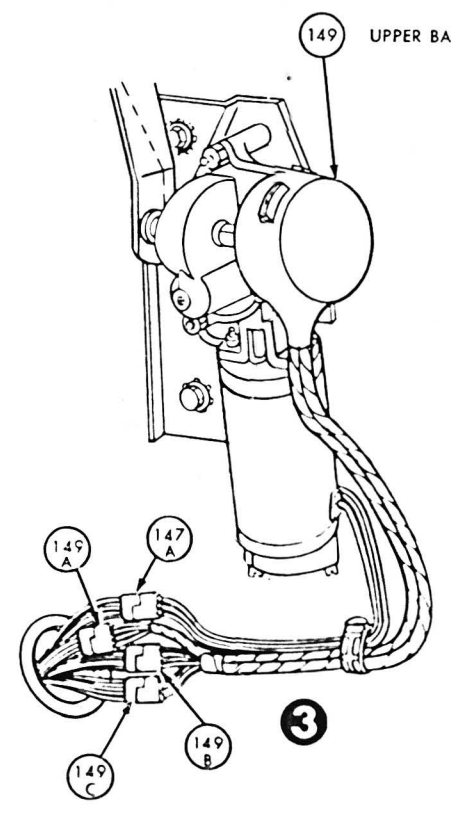
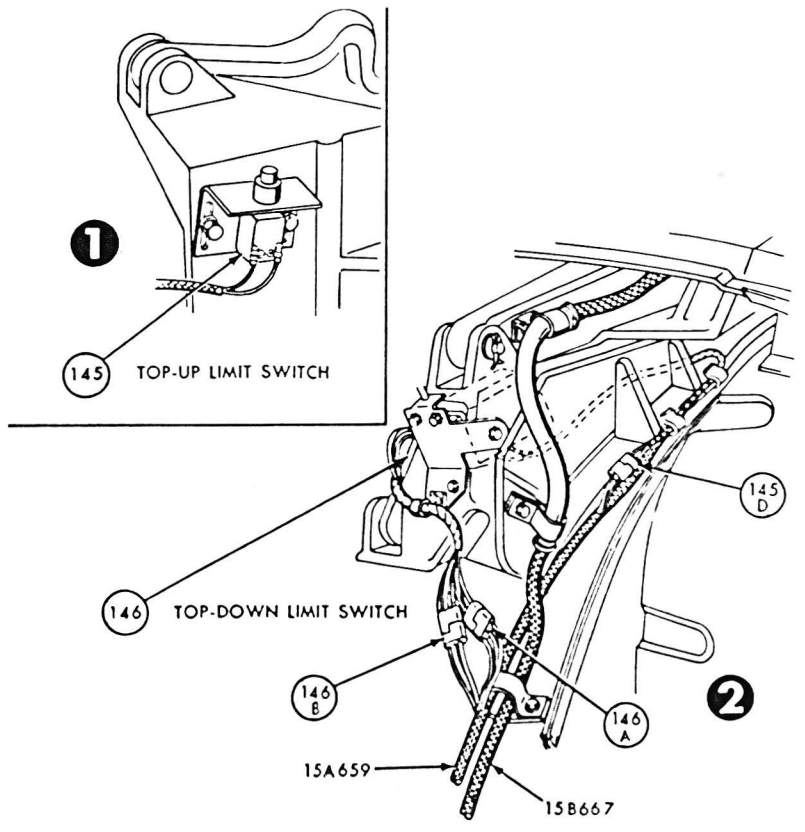
**1964 LINCOLN
INTERIOR LIGHTING, WINDSHIELD WIPER AND GAUGE SCHEMATIC**



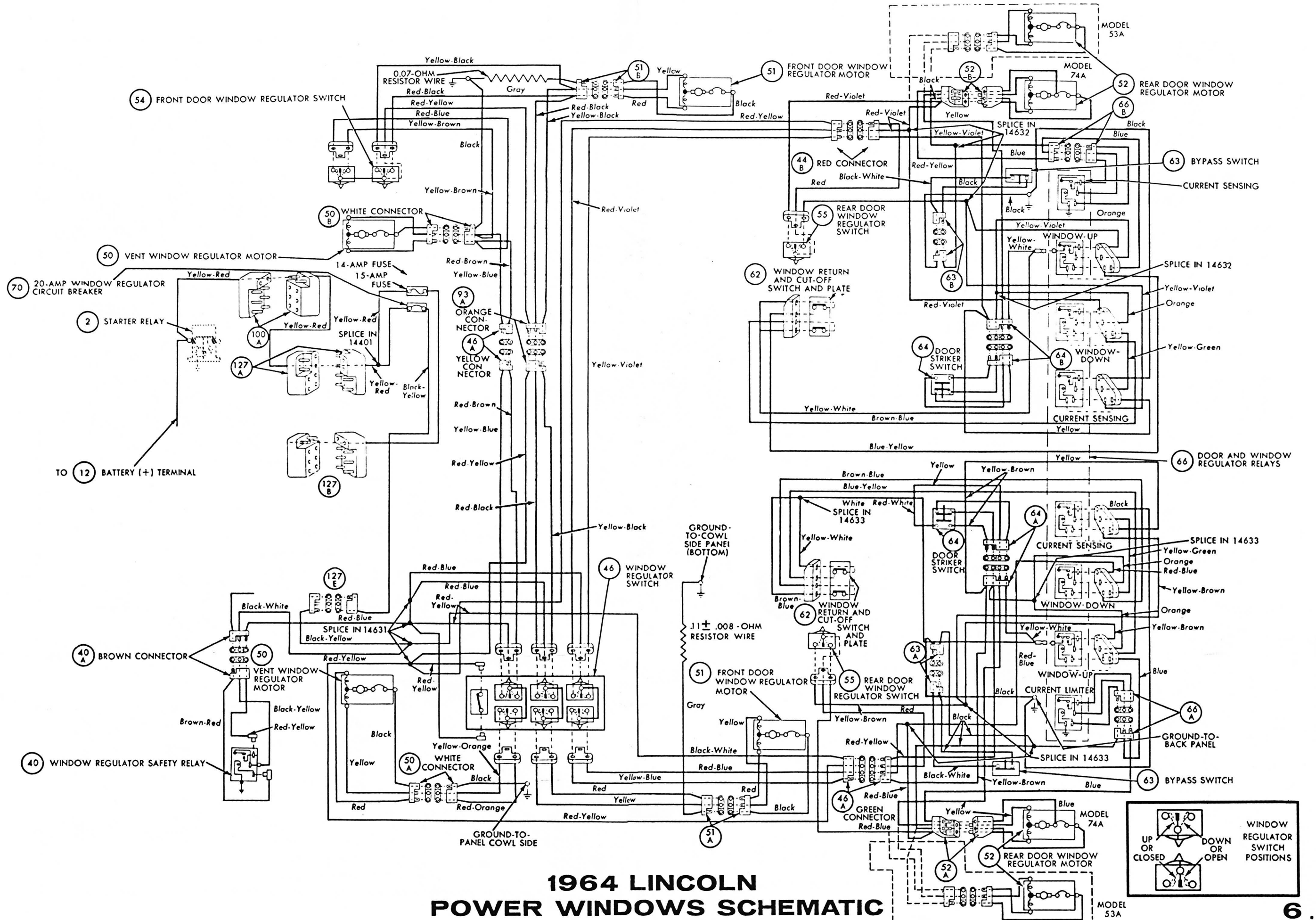
**1964 LINCOLN
ACCESSORIES SCHEMATIC**



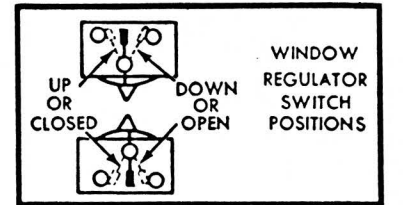
1964 LINCOLN POWER TOP SCHEMATIC

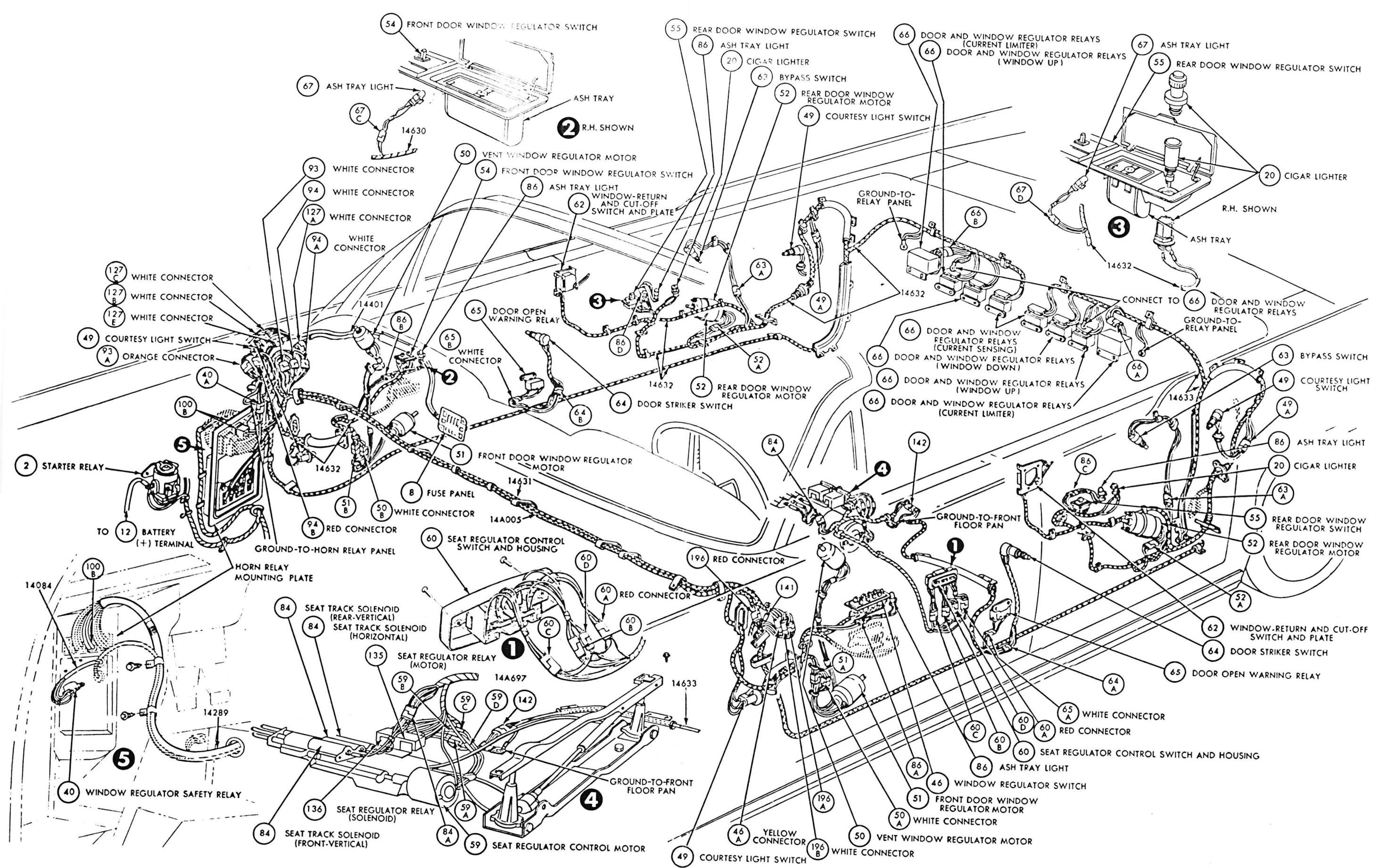


1964 LINCOLN POWER TOP WIRING DETAILED VIEWS

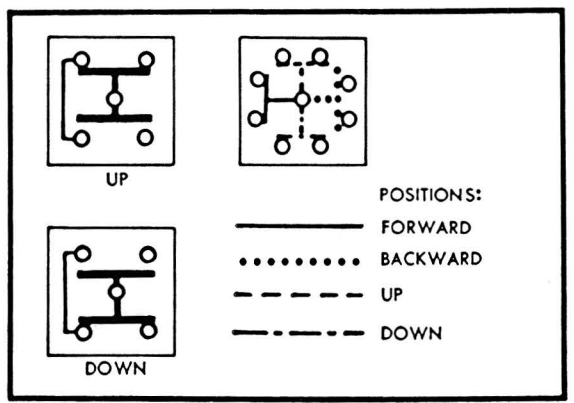
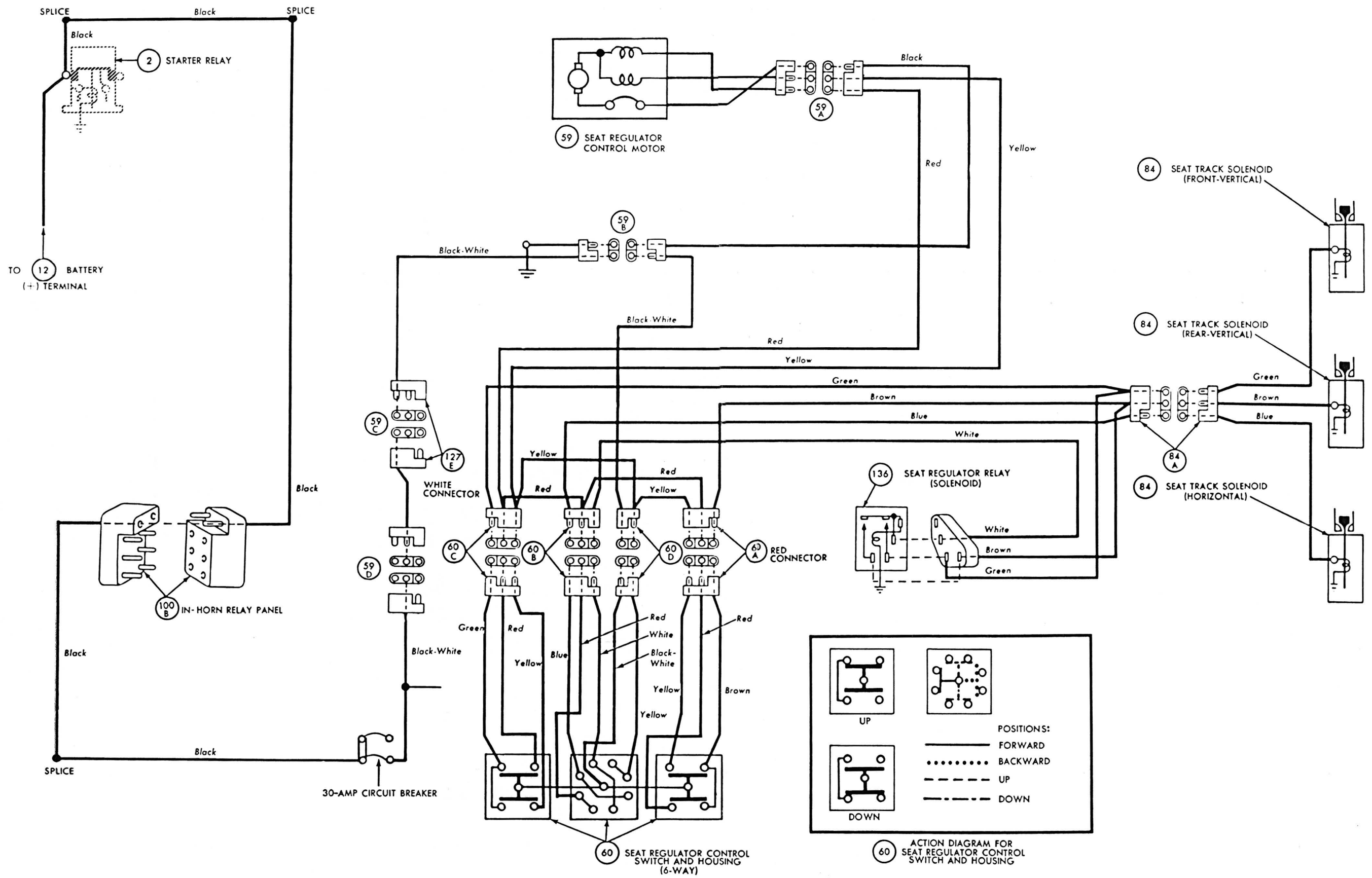


1964 LINCOLN POWER WINDOWS SCHEMATIC

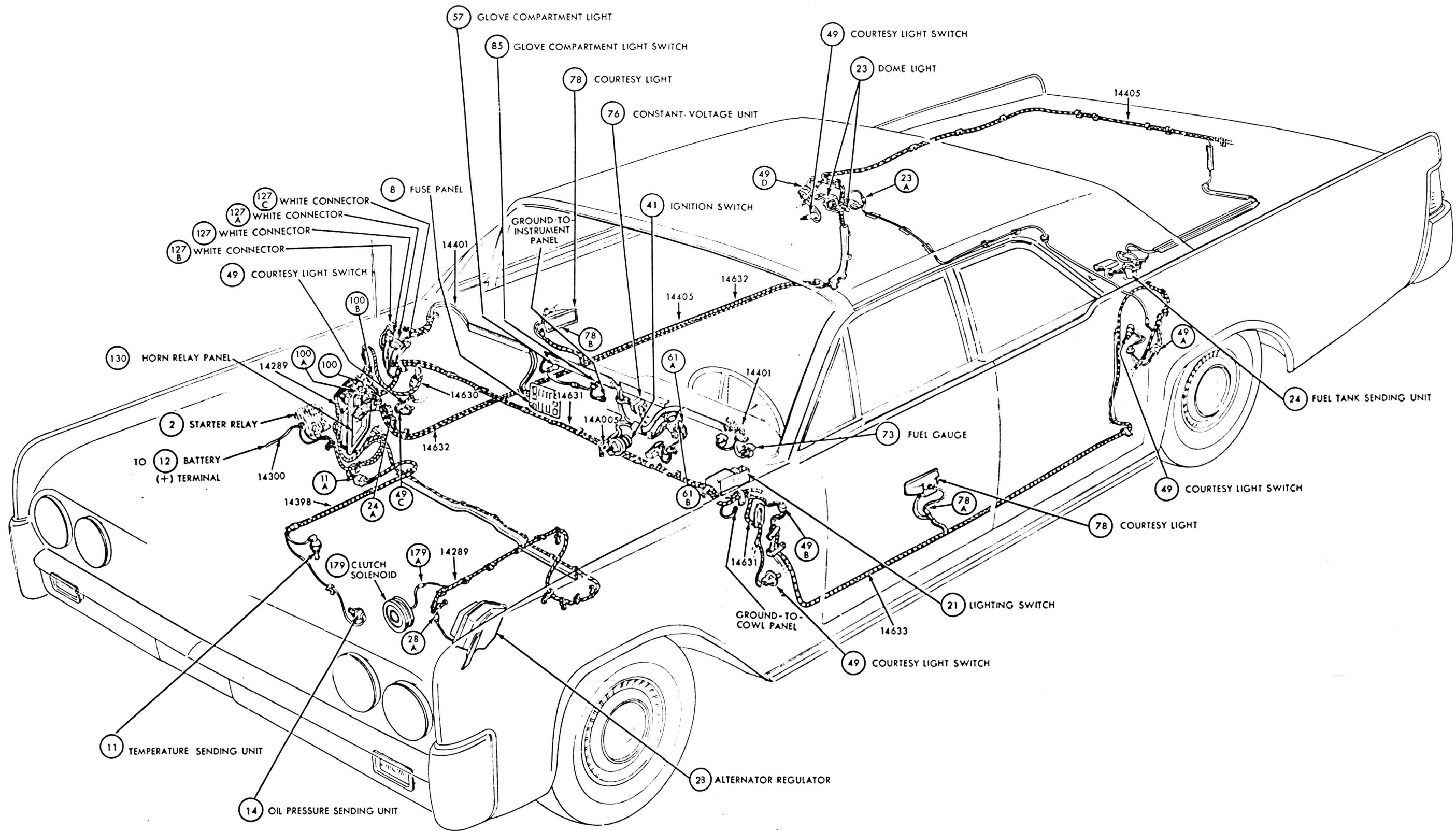




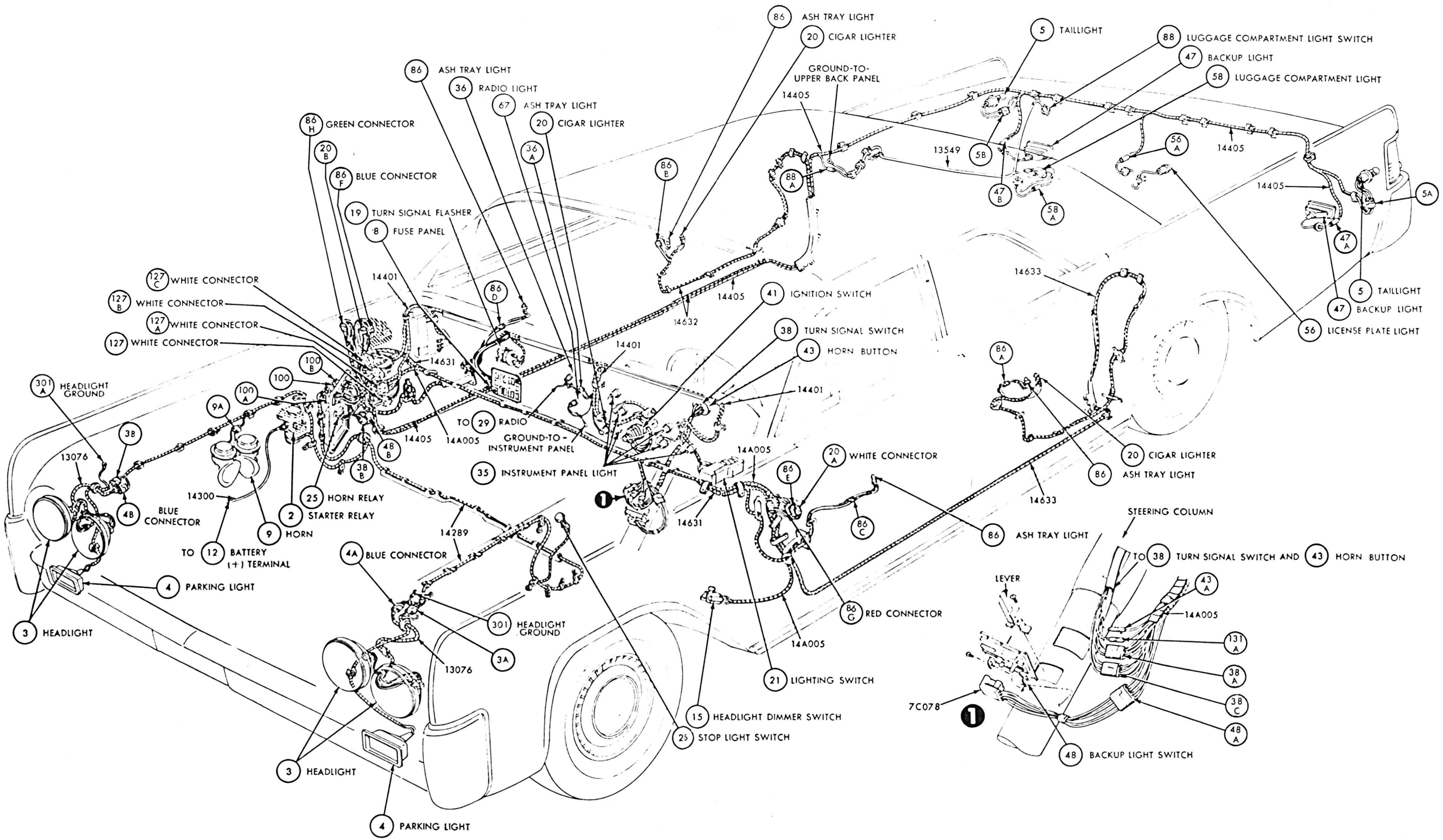
**1964 LINCOLN
POWER WINDOWS AND SEATS WIRING**



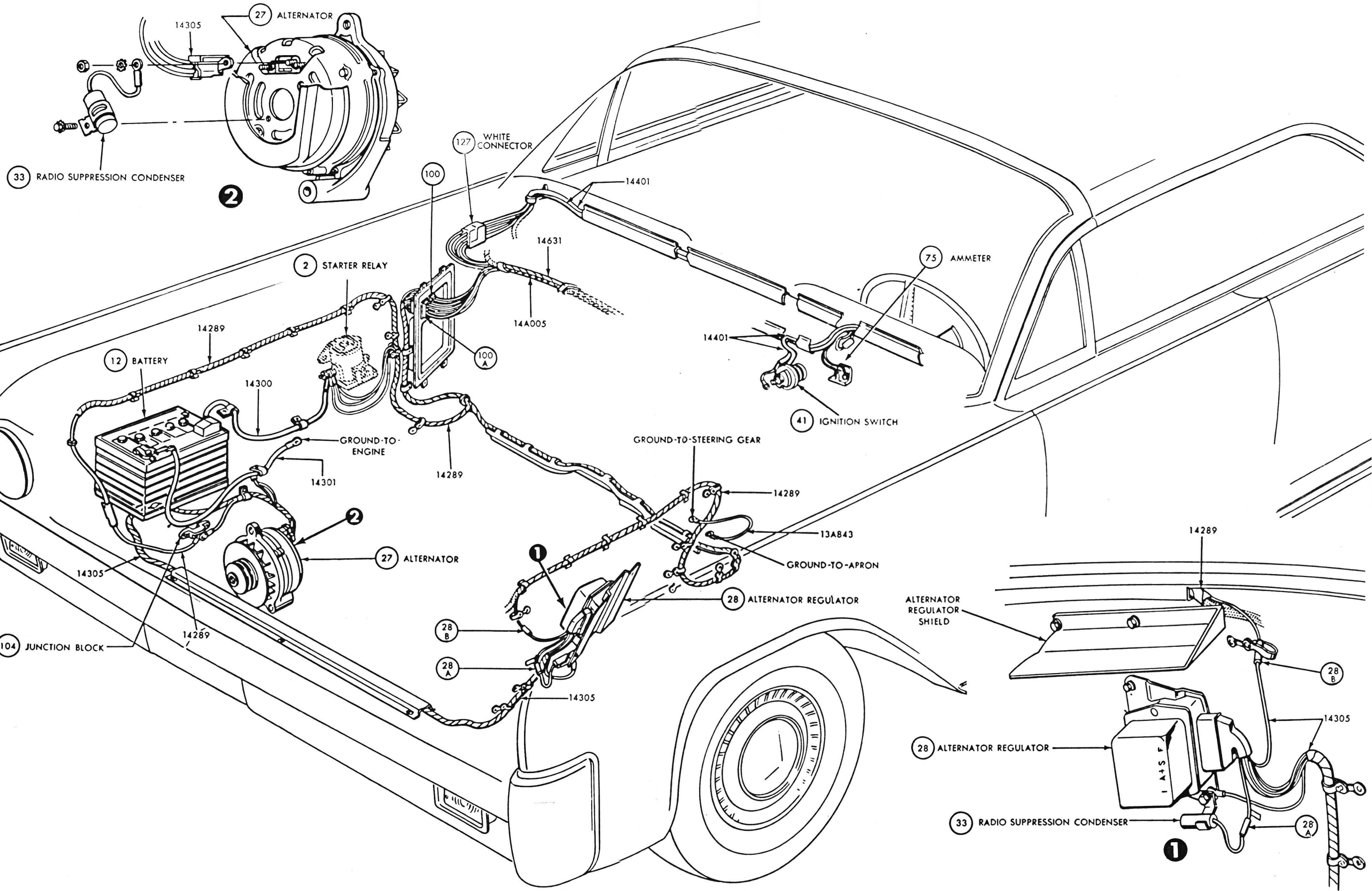
1964 LINCOLN POWER SEATS SCHEMATIC



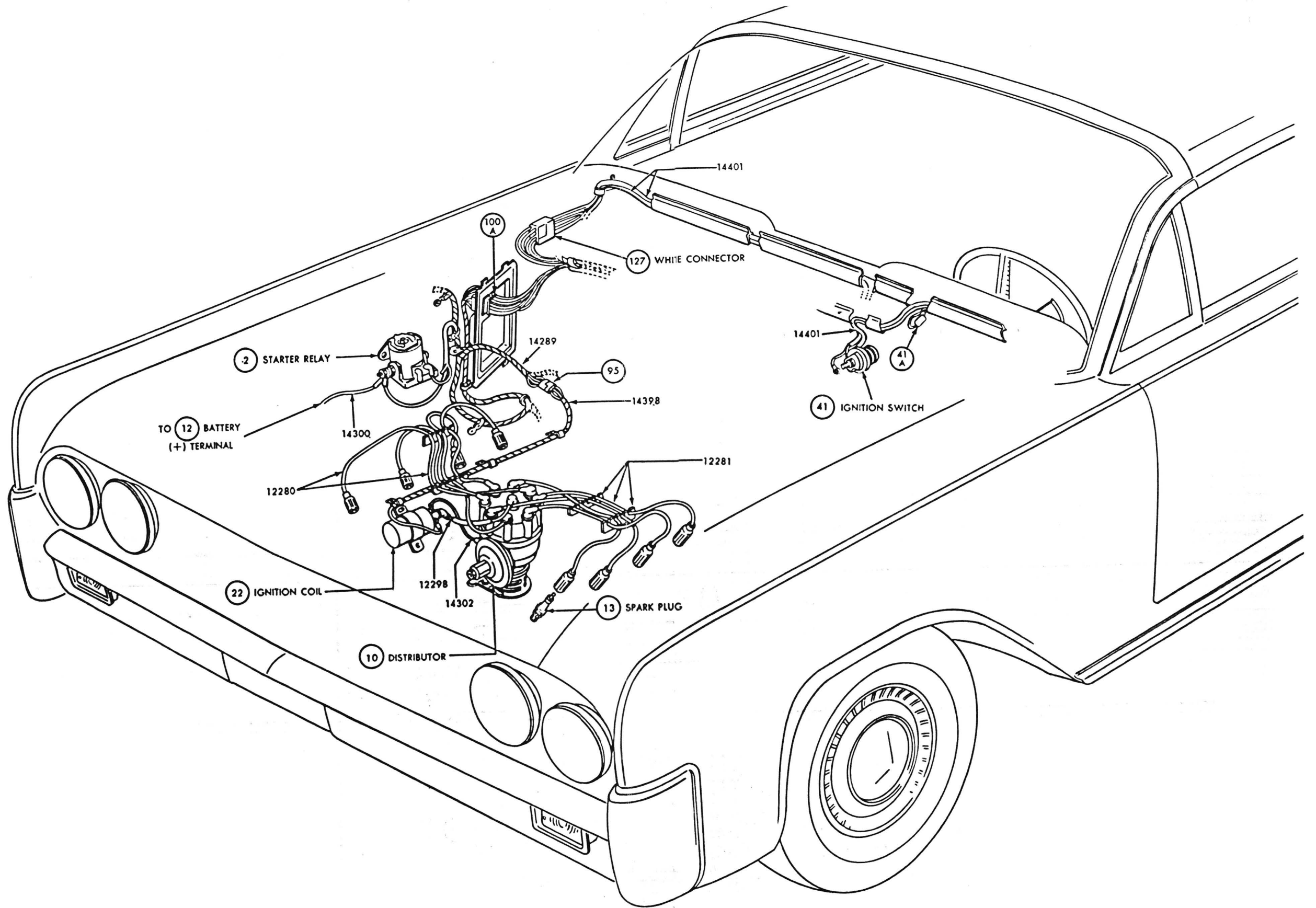
**1964 LINCOLN
INTERIOR LIGHTING, TURN SIGNALS AND HORN WIRING**



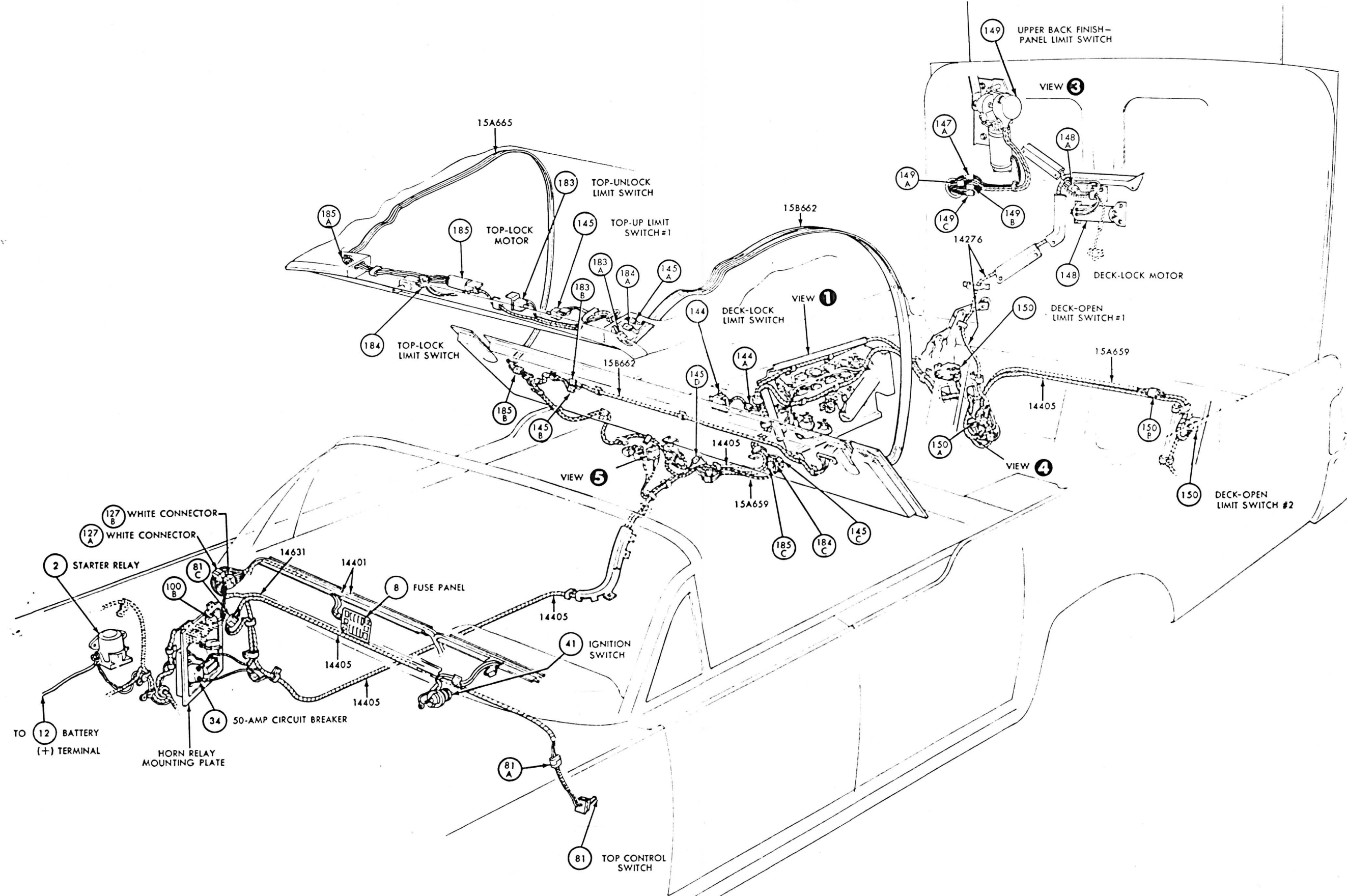
**1964 LINCOLN
EXTERIOR LIGHTING, TURN SIGNALS AND HORN WIRING**



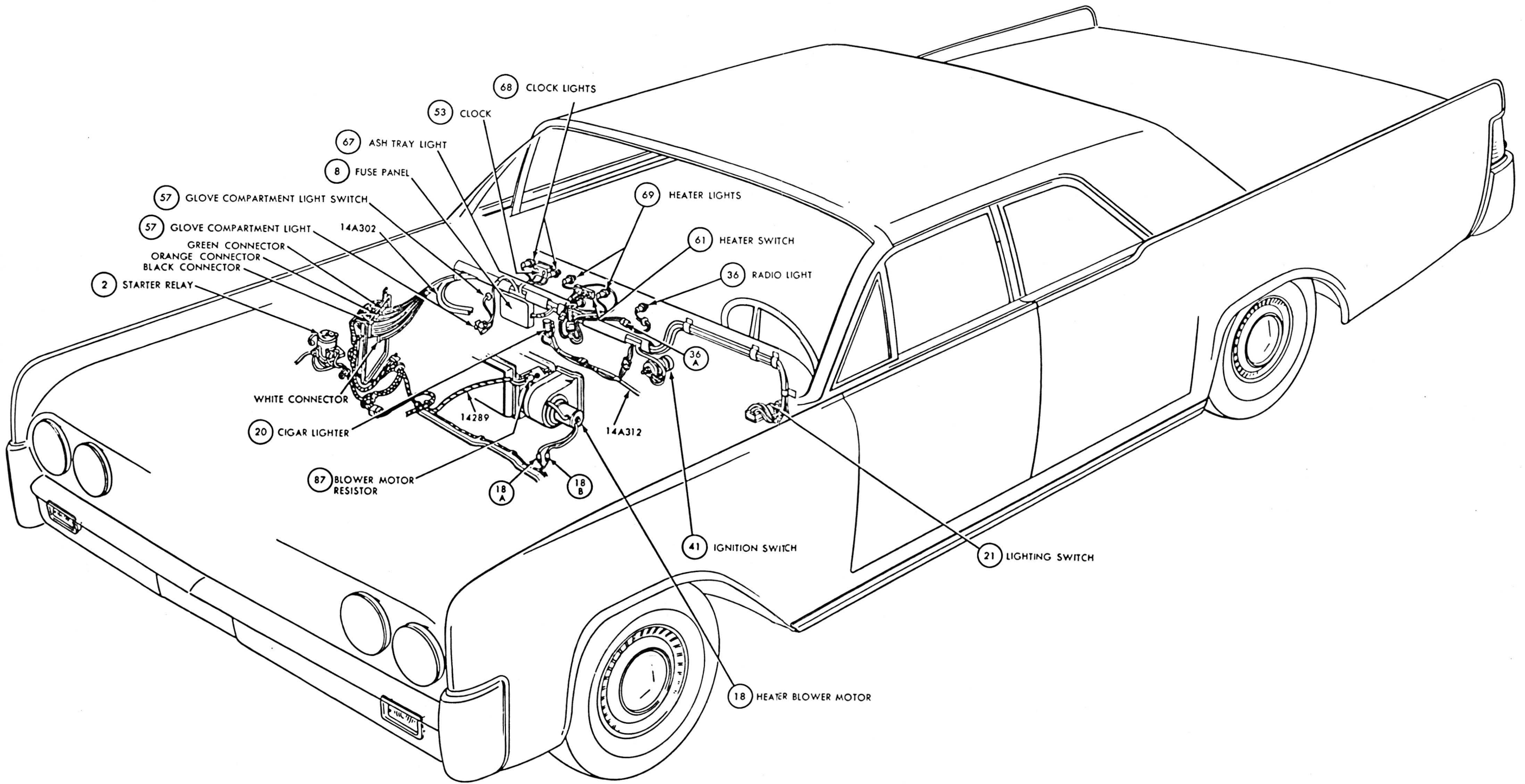
**1964 LINCOLN
ALTERNATOR WIRING**



**1964 LINCOLN
IGNITION WIRING**



1964 LINCOLN POWER TOP WIRING



**1964 LINCOLN
ACCESSORIES WIRING**